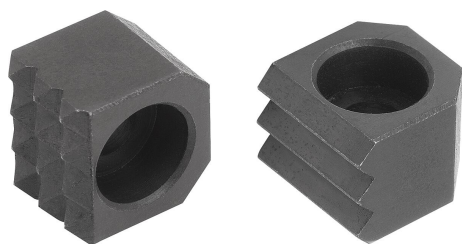


Grippers, tool steel, rectangular with counterbore

Item description/product images



Description

Product description:

Grippers and inserts are perfect for use in clamping arms, gripper systems, clamping fixtures, clamping jaws and jaw plates. Grippers can be used to transfer the highest torques and above-average clamping forces, even with hard materials and surface irregularities.

Material:

Tool steel.

Version:

Hardened, black oxidised.

Accessory:

K0929 Side clamp.

K0930 Side clamp.

K0931 Side clamp with rest pads.

K1159 Socket head screws, thread up to head DIN 912.

K1160 Socket head screws, low profile head DIN 6912.

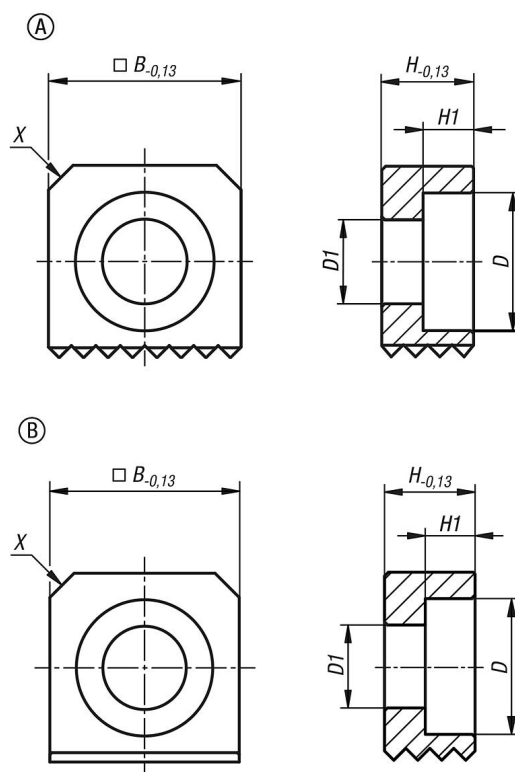
K0869 Socket head screws, DIN EN ISO 4762 extended, steel or stainless steel.

Drawing reference:

Form A: serrated

Form B: wedge shaped

Drawings



Grippers, tool steel, rectangular with counterbore

Overview of items

Grippers, tool steel, rectangular with counterbore

Order No.	Form	Version 1	B	H	H1	D	D1	for screws	Serration	X
K2241.12061	A	serrated	12	6	4,06	8	4,5	M4	fine	2,3x45°
K2241.12101	A	serrated	12	10	4,06	8	4,5	M4	fine	2,3x45°
K2241.12121	A	serrated	12	12	4,06	8	4,5	M4	fine	2,3x45°
K2241.16061	A	serrated	16	6	4,2	11	6,6	M6	fine	3,2x45°
K2241.16101	A	serrated	16	10	4,2	11	6,6	M6	fine	3,2x45°
K2241.16121	A	serrated	16	12	4,2	11	6,6	M6	fine	3,2x45°
K2241.20061	A	serrated	20	6	5,08	15	9	M8	fine	3,2x45°
K2241.20101	A	serrated	20	10	5,08	15	9	M8	fine	3,2x45°
K2241.20121	A	serrated	20	12	5,08	15	9	M8	fine	3,2x45°
K2241.25101	A	serrated	25	10	6,6	18	11	M10	fine	3,2x45°
K2241.25121	A	serrated	25	12	6,6	18	11	M10	fine	3,2x45°
K2241.12062	B	wedge-shaped	12	6	4,06	8	4,5	M4	fine	2,3x45°
K2241.12102	B	wedge-shaped	12	10	4,06	8	4,5	M4	fine	2,3x45°
K2241.12122	B	wedge-shaped	12	12	4,06	8	4,5	M4	fine	2,3x45°
K2241.16062	B	wedge-shaped	16	6	4,2	11	6,6	M6	fine	3,2x45°
K2241.16102	B	wedge-shaped	16	10	4,2	11	6,6	M6	fine	3,2x45°
K2241.16122	B	wedge-shaped	16	12	4,2	11	6,6	M6	fine	3,2x45°
K2241.20062	B	wedge-shaped	20	6	5,08	15	9	M8	fine	3,2x45°
K2241.20102	B	wedge-shaped	20	10	5,08	15	9	M8	fine	3,2x45°
K2241.20122	B	wedge-shaped	20	12	5,08	15	9	M8	fine	3,2x45°
K2241.25102	B	wedge-shaped	25	10	6,6	18	11	M10	fine	3,2x45°
K2241.25122	B	wedge-shaped	25	12	6,6	18	11	M10	fine	3,2x45°