

## Clevis joints stainless steel DIN 71752

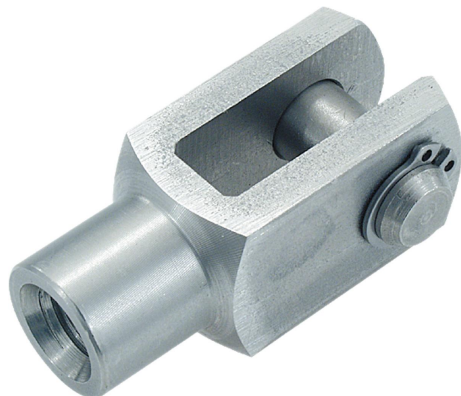
Item description/product images



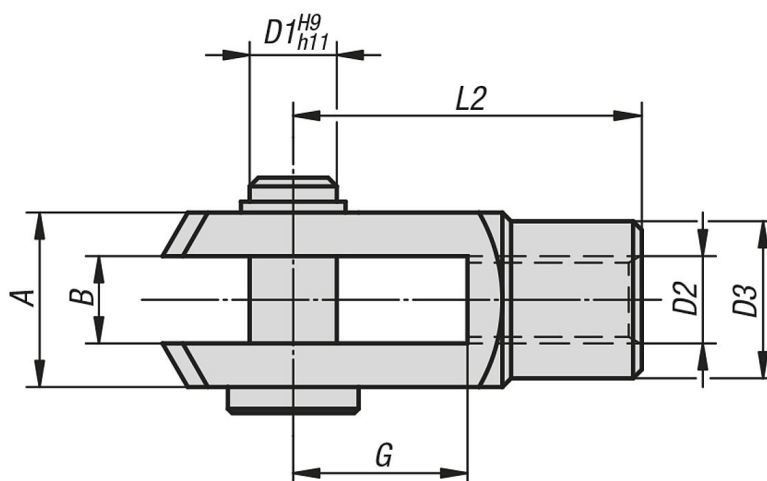
### Description

**Material:**  
Stainless steel 1.4305.

**Version:**  
Bright.



### Drawings



### Overview of items

#### Clevis joints stainless steel DIN 71752

Order No.	Version	B	G	D1	D2	D3	L2	A
K0732.0510	RH thread	5	10	5	M5	9	20	10
K0732.0612	RH thread	6	12	6	M6	10	24	12
K0732.0816	RH thread	8	16	8	M8	14	32	16
K0732.0832	RH thread	8	32	8	M8	14	48	16
K0732.10120	RH thread	10	20	10	M10x1,25	18	40	20
K0732.1020	RH thread	10	20	10	M10	18	40	20
K0732.1040	RH thread	10	40	10	M10	18	60	20
K0732.12124	RH thread	12	24	12	M12x1,25	20	48	24
K0732.12148	RH thread	12	48	12	M12x1,25	20	72	24
K0732.1224	RH thread	12	24	12	M12	20	48	24
K0732.1248	RH thread	12	48	12	M12	20	72	24
K0732.1428	RH thread	14	28	14	M14	24	56	27
K0732.16132	RH thread	16	32	16	M16x1,5	26	64	32
K0732.1632	RH thread	16	32	16	M16	26	64	32

## Clevis joints stainless steel DIN 71752

### Overview of items

Order No.	Version	B	G	D1	D2	D3	L2	A
K0732.2040	RH thread	20	40	20	M20	34	80	40
K0732.05101	LH thread	5	10	5	M5	9	20	10
K0732.06121	LH thread	6	12	6	M6	10	24	12
K0732.08161	LH thread	8	16	8	M8	14	32	16
K0732.10201	LH thread	10	20	10	M10	18	40	20
K0732.12241	LH thread	12	24	12	M12	20	48	24
K0732.16321	LH thread	16	32	16	M16	26	64	32
K0732.20401	LH thread	20	40	20	M20	34	80	40