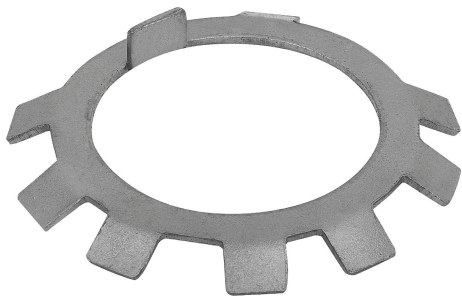


Locking plate steel DIN 70952

Item description/product images



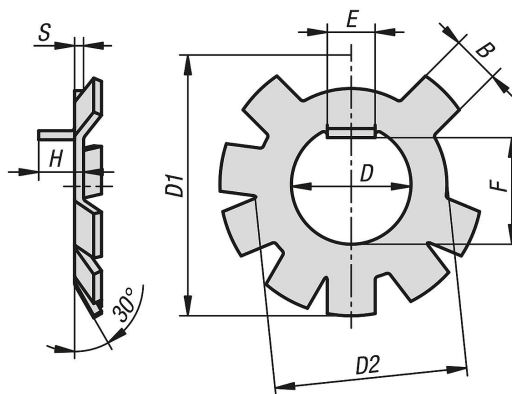
Description

Material:
Steel.

Version:
Bright.

Note:
DIN 70952 locking plates are used to secure the DIN 70852 slotted round nuts. To use the locking plates, a keyway must first be cut into the screw thread.

Drawings



Overview of items

Locking plate steel DIN 70952

Order No.	B	D	D1	D2	E	F	H	S	Suitable for
K2061.010	4	10	22	16	4	8,9	3	1	K2059.010/K2059.10
K2061.012	4	12	24	18	4	10,9	3	1	K2059.012/K2059.12
K2061.014	4	14	26	20	5	12,9	3	1	K2059.014/K2059.14
K2061.016	5	16	29	23	5	14	3	1	K2059.016/K2059.16
K2061.018	5	18	33	25	5	16,9	4	1	K2059.018/K2059.18
K2061.020	5	20	35	27	5	18,9	4	1	K2059.020/K2059.20
K2061.022	6	22	38	30	6	20,9	4	1	K2059.022/K2059.22
K2061.024	6	24	40	32	6	22,9	5	1,2	K2059.024/K2059.24
K2061.026	6	26	44	34	6	24,9	5	1,2	K2059.026/K2059.26
K2061.028	6	28	46	36	7	26,9	5	1,2	K2059.028/K2059.28
K2061.030	6	30	48	38	7	28,9	6	1,2	K2059.030/K2059.30
K2061.032	6	32	51	41	7	30,9	7	1,2	K2059.032/K2059.32
K2061.035	6	35	53	43	7	33,9	7	1,2	K2059.035/K2059.35
K2061.038	6	38	57	47	8	36,6	7	1,2	K2059.038/K2059.38
K2061.040	6	40	59	49	8	38,9	7	1,2	K2059.040/K2059.40
K2061.042	7	42	62	52	8	40,6	7	1,2	K2059.042/K2059.42
K2061.045	7	45	64	54	8	43,6	8	1,2	K2059.045/K2059.45
K2061.048	7	48	67	57	8	46,7	8	1,5	K2059.048/K2059.48
K2061.050	7	50	70	60	8	48,7	8	1,5	K2059.050/K2059.50
K2061.052	7	52	74	62	8	50,7	8	1,5	K2059.052/K2059.52
K2061.055	7	55	79	67	10	53,7	8	1,5	K2059.055/K2059.55
K2061.060	10	60	82,4	71	10	58,7	8	1,5	K2059.060/K2059.60
K2061.065	10	65	88	76	10	63,7	8	1,5	K2059.065/K2059.65
K2061.070	10	70	93	81	10	68,7	10	1,5	K2059.070/K2059.70

Locking plate steel DIN 70952**Overview of items**

Order No.	B	D	D1	D2	E	F	H	S	Suitable for
K2061.075	10	75	100	86	10	73,2	10	1,8	K2059.075/K2059.75
K2061.080	10	80	105	91	10	78,2	10	1,8	K2059.080/K2059.80