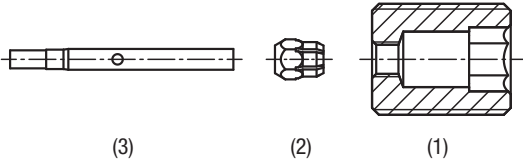
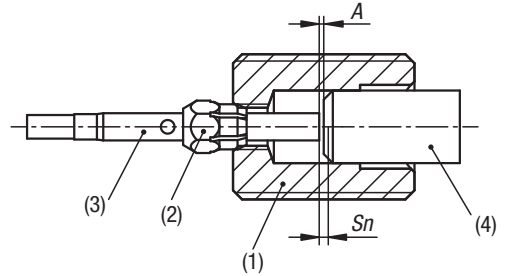
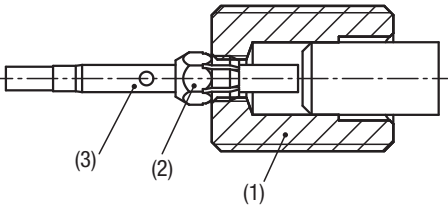


Mounting instructions

Positioning bushes with status sensor / for status sensor

Locating bushes with status sensor / for status sensor

 <p>(3) (2) (1)</p>	<p>1. Overview: (1) Positioning or locating bush (2) Locknut (3) Sensor</p>
 <p>(3) (2) (1) (4)</p> <p>A</p> <p>Sn</p>	<p>2. Screw the locknut (2) into the tapped hole on the bush (1) 2-3 rotations.</p> <p>3. Push the sensor (3) in from the rear and position it. Adjust spacing A using a component (4) or set to a predetermined dimension. (The use of a sensor tester is recommended).</p> <p>Minimum distance A to component (4): 0.2 mm Maximum distance A to component (4): Contact Sn of the sensor (3)</p> <p>Caution: The sensor (3) and the component (4) must not be in contact.</p>
 <p>(3) (2) (1)</p>	<p>4. Tighten the locknut (2) and check the position of the sensor (3).</p> <p>Max. tightening torque for the locknut: 1.2 Nm.</p> <p>5. Mount the bush (1) into the application location.</p> <p>Caution: The sequence of procedures may vary according to application and installation space available.</p>