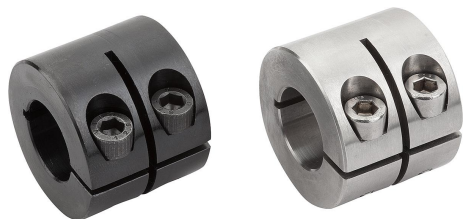


Shaft collars one-piece, wide, slitted inside

Item description/product images



Description

Material:

Steel 1.0718.
Stainless steel 1.4305.

Version:

Steel black oxidised.
Screw 12.9 steel.
Stainless steel bright.
Screw A2-70 stainless steel.

Note:

One-piece shaft collars with an inner slit surround the shaft with an equal distribution of the clamping force. This leads to a very precise fit and high retaining force without damaging the shaft.

The shaft tolerance should lie within h11.

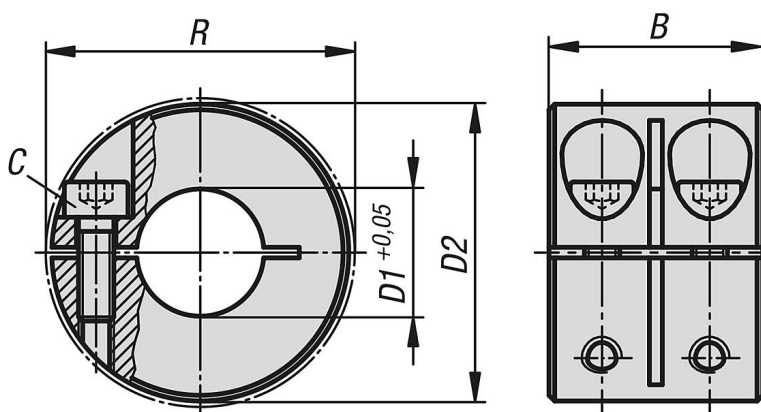
Temperature range:

-40 °C - +175 °C.

On request:

Other dimensions.

Drawings



Overview of items

One-piece shaft collars, wide, slitted inside

Order No.	Form definition	Main material	B	C (DIN 912)	D1	D2	R
K1924.00801	slitted inside	steel	20	M3x8	8	18	22,4
K1924.01001	slitted inside	steel	20	M3x10	10	24	26
K1924.01201	slitted inside	steel	24	M4x12	12	28	31,8
K1924.01601	slitted inside	steel	29	M5x16	16	34	39,4
K1924.02001	slitted inside	steel	33	M6x18	20	40	46,4
K1924.02501	slitted inside	steel	33	M6x18	25	45	50,8
K1924.03001	slitted inside	steel	33	M6x18	30	54	58,6

Shaft collars one-piece, wide, slitted inside

Overview of items

Order No.	Form definition	Main material	B	C (DIN 912)	D1	D2	R
K1924.04001	slitted inside	steel	33	M6x18	40	60	65
K1924.05001	slitted inside	steel	41	M8x25	50	78	87
K1924.00802	slitted inside	stainless steel	20	M3x8	8	18	22,4
K1924.01002	slitted inside	stainless steel	20	M3x10	10	24	26
K1924.01202	slitted inside	stainless steel	24	M4x12	12	28	31,8
K1924.01602	slitted inside	stainless steel	29	M5x16	16	34	39,4
K1924.02002	slitted inside	stainless steel	33	M6x18	20	40	46,4
K1924.02502	slitted inside	stainless steel	33	M6x18	25	45	50,8
K1924.03002	slitted inside	stainless steel	33	M6x18	30	54	58,6
K1924.04002	slitted inside	stainless steel	33	M6x18	40	60	65
K1924.05002	slitted inside	stainless steel	41	M8x25	50	78	87