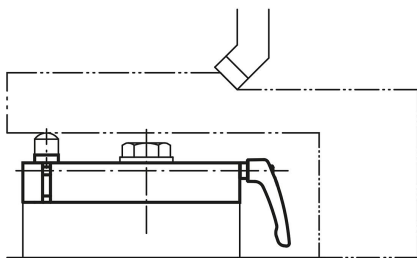
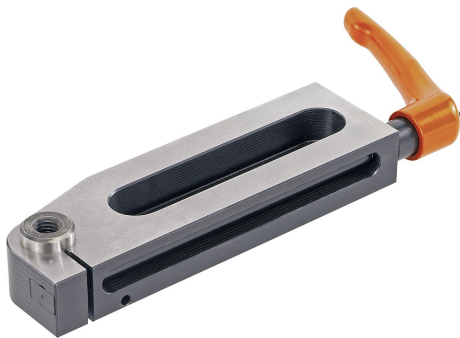


## Workpiece supports

### Item description/product images



### Description

**Material:**  
Steel.

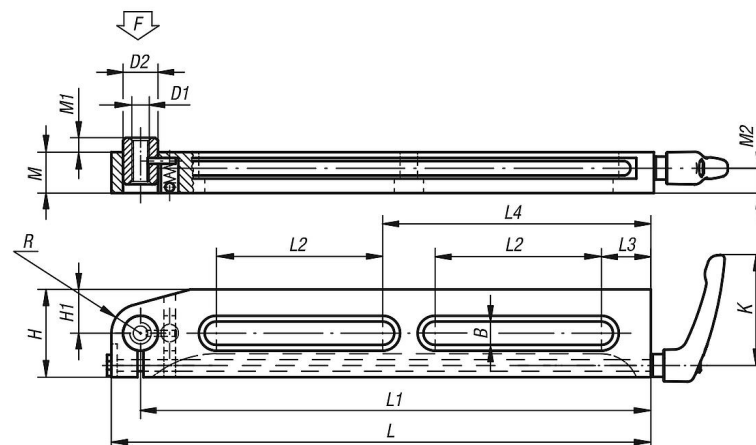
**Version:**  
Case-hardened, black oxidised and ground.

**Note:**

These supports are placed under long or thin workpieces to prevent vibration or bending during milling, drilling, grinding or shaping operations. The support can be accurately placed without the need to reach under the workpiece. The support pin contacts the workpiece under light pressure. It can be tightened in any position. Various types of pins can be screwed into the tapped hole in the thrust pin to adapt the support height.

The supports K1947.075, K1947.150 and K1947.170 have only 1 slot.

### Drawings



### Overview of items

#### Compensating Spanner

Order No.	K	L	L1	L2	L3	L4	B	H	H1	D1	D2	M	M1	M2	R	F N
<b>K1947.75</b>	65	85	75	35	13	-	8,5	30	10	M8	13	19,5	3	11,5	-	500
<b>K1947.150</b>	80	165	150	90	20	-	13	50	25	M10	20	24	6	14	15	2500
<b>K1947.170</b>	110	190	170	100	25	-	17	60	20	M16	26	34	11	21,5	-	5000
<b>K1947.300</b>	80	315	300	100	30	160	13	50	25	M10	20	24	6	14	15	2500

