

Stainless steel pull handles, round

Item description/product images



Description

Material:

Stainless steel 1.4404.

Version:

Polished or blasted.

Note for ordering:

Order the fastening material and end washers separately.

Accessory:

End washers K1823.

Washers K0868.

Washers K1150.

Hex head bolts K0871.

Screws K1796.

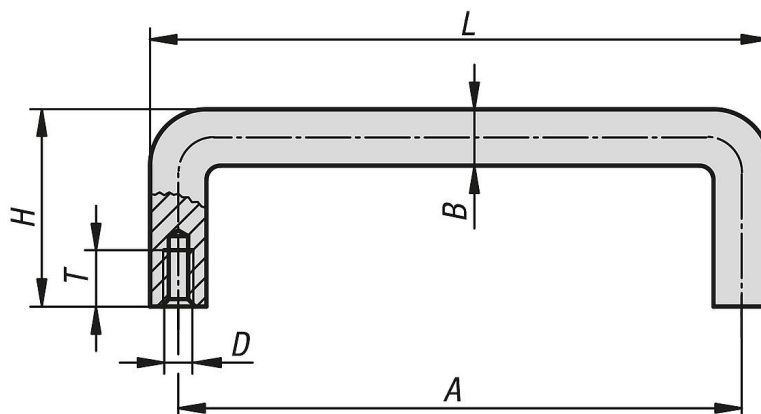
Cap screws K0869.

Stainless steel pull handles, round

Item description/product images



Drawings



Overview of items

Stainless steel pull handles, round

Order No.	Surface finish body	A	B	D	H	T	L	Load capacity N
K1793.032031	smooth polished	32	5	M3	24	6	37	500
K1793.042031	smooth polished	42	5	M3	24	6	47	500
K1793.055031	smooth polished	55	5	M3	24	6	60	500
K1793.064031	smooth polished	64	5	M3	24	6	69	500
K1793.076031	smooth polished	76	5	M3	24	6	81	500
K1793.088031	smooth polished	88	5	M3	24	6	93	500
K1793.032041	smooth polished	32	8	M4	32	8	40	500
K1793.042041	smooth polished	42	8	M4	32	8	50	500
K1793.055041	smooth polished	55	8	M4	32	8	63	500
K1793.064041	smooth polished	64	8	M4	32	8	72	500
K1793.076041	smooth polished	76	8	M4	32	8	84	500
K1793.088041	smooth polished	88	8	M4	32	8	96	500
K1793.096041	smooth polished	96	8	M4	32	8	104	500
K1793.098041	smooth polished	98	8	M4	32	8	106	500
K1793.100041	smooth polished	100	8	M4	32	8	108	500
K1793.102041	smooth polished	102	8	M4	32	8	110	500
K1793.120041	smooth polished	120	8	M4	32	8	128	500

Stainless steel pull handles, round

Overview of items

Order No.	Surface finish body	A	B	D	H	T	L	Load capacity N
K1793.136041	smooth polished	136	8	M4	32	8	144	500
K1793.055051	smooth polished	55	10	M5	40	10	65	1000
K1793.064051	smooth polished	64	10	M5	40	10	74	1000
K1793.076051	smooth polished	76	10	M5	40	10	86	1000
K1793.088051	smooth polished	88	10	M5	40	10	98	1000
K1793.096051	smooth polished	96	10	M5	40	10	106	1000
K1793.098051	smooth polished	98	10	M5	40	10	108	1000
K1793.100051	smooth polished	100	10	M5	40	10	110	1000
K1793.102051	smooth polished	102	10	M5	40	10	112	1000
K1793.120051	smooth polished	120	10	M5	40	10	130	1000
K1793.136051	smooth polished	136	10	M5	40	10	146	1000
K1793.140051	smooth polished	140	10	M5	40	10	150	1000
K1793.160051	smooth polished	160	10	M5	40	10	170	1000
K1793.180051	smooth polished	180	10	M5	40	10	190	1000
K1793.200051	smooth polished	200	10	M5	40	10	210	1000
K1793.235051	smooth polished	235	10	M5	40	10	245	1000
K1793.250051	smooth polished	250	10	M5	40	10	260	1000
K1793.300051	smooth polished	300	10	M5	40	10	310	1000
K1793.350051	smooth polished	350	10	M5	40	10	360	1000
K1793.120061	smooth polished	120	12	M6	42	12	132	1000
K1793.136061	smooth polished	136	12	M6	42	12	148	1000
K1793.140061	smooth polished	140	12	M6	42	12	152	1000
K1793.160061	smooth polished	160	12	M6	42	12	172	1000
K1793.180061	smooth polished	180	12	M6	42	12	192	1000
K1793.200061	smooth polished	200	12	M6	42	12	212	1000
K1793.235061	smooth polished	235	12	M6	42	12	247	1000
K1793.250061	smooth polished	250	12	M6	42	12	262	1000
K1793.300061	smooth polished	300	12	M6	42	12	312	1000
K1793.350061	smooth polished	350	12	M6	42	12	362	1000
K1793.140081	smooth polished	140	16	M8	58	12	156	1000
K1793.160081	smooth polished	160	16	M8	58	12	176	1000
K1793.180081	smooth polished	180	16	M8	58	12	196	1000
K1793.200081	smooth polished	200	16	M8	58	12	216	1000
K1793.235081	smooth polished	235	16	M8	58	12	251	1000
K1793.250081	smooth polished	250	16	M8	58	12	266	1000
K1793.300081	smooth polished	300	16	M8	58	12	316	1000
K1793.350081	smooth polished	350	16	M8	58	12	366	1000
K1793.032033	matt blasted	32	5	M3	24	6	37	500
K1793.042033	matt blasted	42	5	M3	24	6	47	500
K1793.055033	matt blasted	55	5	M3	24	6	60	500
K1793.064033	matt blasted	64	5	M3	24	6	69	500
K1793.076033	matt blasted	76	5	M3	24	6	81	500
K1793.088033	matt blasted	88	5	M3	24	6	93	500
K1793.032043	matt blasted	32	8	M4	32	8	40	500
K1793.042043	matt blasted	42	8	M4	32	8	50	500
K1793.055043	matt blasted	55	8	M4	32	8	63	500
K1793.064043	matt blasted	64	8	M4	32	8	72	500
K1793.076043	matt blasted	76	8	M4	32	8	84	500
K1793.088043	matt blasted	88	8	M4	32	8	96	500
K1793.096043	matt blasted	96	8	M4	32	8	104	500
K1793.098043	matt blasted	98	8	M4	32	8	106	500
K1793.100043	matt blasted	100	8	M4	32	8	108	500
K1793.102043	matt blasted	102	8	M4	32	8	110	500
K1793.120043	matt blasted	120	8	M4	32	8	128	500
K1793.136043	matt blasted	136	8	M4	32	8	144	500
K1793.055053	matt blasted	55	10	M5	40	10	65	1000
K1793.064053	matt blasted	64	10	M5	40	10	74	1000
K1793.076053	matt blasted	76	10	M5	40	10	86	1000
K1793.088053	matt blasted	88	10	M5	40	10	98	1000
K1793.096053	matt blasted	96	10	M5	40	10	106	1000
K1793.098053	matt blasted	98	10	M5	40	10	108	1000

Stainless steel pull handles, round

Overview of items

Order No.	Surface finish body	A	B	D	H	T	L	Load capacity N
K1793.100053	matt blasted	100	10	M5	40	10	110	1000
K1793.102053	matt blasted	102	10	M5	40	10	112	1000
K1793.120053	matt blasted	120	10	M5	40	10	130	1000
K1793.136053	matt blasted	136	10	M5	40	10	146	1000
K1793.140053	matt blasted	140	10	M5	40	10	150	1000
K1793.160053	matt blasted	160	10	M5	40	10	170	1000
K1793.180053	matt blasted	180	10	M5	40	10	190	1000
K1793.200053	matt blasted	200	10	M5	40	10	210	1000
K1793.235053	matt blasted	235	10	M5	40	10	245	1000
K1793.250053	matt blasted	250	10	M5	40	10	260	1000
K1793.300053	matt blasted	300	10	M5	40	10	310	1000
K1793.350053	matt blasted	350	10	M5	40	10	360	1000
K1793.120063	matt blasted	120	12	M6	42	12	132	1000
K1793.136063	matt blasted	136	12	M6	42	12	148	1000
K1793.140063	matt blasted	140	12	M6	42	12	152	1000
K1793.160063	matt blasted	160	12	M6	42	12	172	1000
K1793.180063	matt blasted	180	12	M6	42	12	192	1000
K1793.200063	matt blasted	200	12	M6	42	12	212	1000
K1793.235063	matt blasted	235	12	M6	42	12	247	1000
K1793.250063	matt blasted	250	12	M6	42	12	262	1000
K1793.300063	matt blasted	300	12	M6	42	12	312	1000
K1793.350063	matt blasted	350	12	M6	42	12	362	1000
K1793.140083	matt blasted	140	16	M8	58	12	156	1000
K1793.160083	matt blasted	160	16	M8	58	12	176	1000
K1793.180083	matt blasted	180	16	M8	58	12	196	1000
K1793.200083	matt blasted	200	16	M8	58	12	216	1000
K1793.235083	matt blasted	235	16	M8	58	12	251	1000
K1793.250083	matt blasted	250	16	M8	58	12	266	1000
K1793.300083	matt blasted	300	16	M8	58	12	316	1000
K1793.350083	matt blasted	350	16	M8	58	12	366	1000