

One-piece shaft collars slitted inside

Item description/product images



Description

Material:

Steel.
Stainless steel 1.4305.
Stainless steel 1.4404.
Aluminium.

Version:

Steel black oxidised, screw steel 12.9.
Stainless steel 1.4305 bright, screw stainless steel A2-70.
Stainless steel 1.4404 bright, screw stainless steel A4-70.
Aluminium bright, screw stainless steel A2-70.

Note:

One-piece shaft collars with an inner slit surround the shaft with an equal distribution of the clamping force. This leads to a very precise fit and high retaining force without damaging the shaft.

The shaft tolerance should lie within h11.

The shaft collars made of A4 stainless steel have a small centre point mark on the OD.

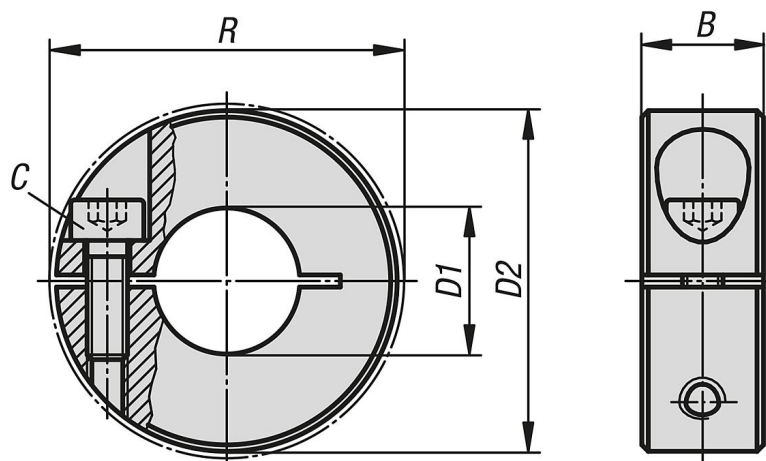
Temperature range:

-40 °C - +175 °C.

On request:

Other dimensions.

Drawings



Overview of items

One-piece shaft collar, slitted inside

One-piece shaft collars slitted inside

Overview of items

Order No.	Form definition	Main material	B	C (DIN 912)	D1	D2	R
K0611.00401	slitted inside	steel	9	M3x8	4	16	20,7
K0611.00501	slitted inside	steel	9	M3x8	5	16	20,7
K0611.00601	slitted inside	steel	9	M3x8	6	16	20,7
K0611.00801	slitted inside	steel	9	M3x8	8	18	22,4
K0611.01001	slitted inside	steel	9	M3x10	10	24	26
K0611.01201	slitted inside	steel	11	M4x12	12	28	31,8
K0611.01501	slitted inside	steel	13	M5x16	15	34	39,4
K0611.01601	slitted inside	steel	13	M5x16	16	34	39,4
K0611.01801	slitted inside	steel	13	M5x16	18	36	41,1
K0611.02001	slitted inside	steel	15	M6x18	20	40	46,4
K0611.02201	slitted inside	steel	15	M6x18	22	42	48,1
K0611.02501	slitted inside	steel	15	M6x18	25	45	50,8
K0611.02801	slitted inside	steel	15	M6x18	28	48	53,7
K0611.03001	slitted inside	steel	15	M6x18	30	54	58,6
K0611.04001	slitted inside	steel	15	M6x18	40	60	65
K0611.05001	slitted inside	steel	19	M8x25	50	78	87
K0611.00402	slitted inside	stainless steel	9	M3x8	4	16	20,7
K0611.00502	slitted inside	stainless steel	9	M3x8	5	16	20,7
K0611.00602	slitted inside	stainless steel	9	M3x8	6	16	20,7
K0611.00802	slitted inside	stainless steel	9	M3x8	8	18	22,4
K0611.01002	slitted inside	stainless steel	9	M3x10	10	24	26
K0611.01202	slitted inside	stainless steel	11	M4x12	12	28	31,8
K0611.01502	slitted inside	stainless steel	13	M5x16	15	34	39,4
K0611.01602	slitted inside	stainless steel	13	M5x16	16	34	39,4
K0611.01802	slitted inside	stainless steel	13	M5x16	18	36	41,1
K0611.02002	slitted inside	stainless steel	15	M6x18	20	40	46,4
K0611.02202	slitted inside	stainless steel	15	M6x18	22	42	48,1
K0611.02502	slitted inside	stainless steel	15	M6x18	25	45	50,8
K0611.02802	slitted inside	stainless steel	15	M6x18	28	48	53,7
K0611.03002	slitted inside	stainless steel	15	M6x18	30	54	58,6
K0611.04002	slitted inside	stainless steel	15	M6x18	40	60	65
K0611.05002	slitted inside	stainless steel	19	M8x25	50	78	87
K0611.00404	slitted inside	stainless steel A4	9	M3x8	4	16	20,7
K0611.00504	slitted inside	stainless steel A4	9	M3x8	5	16	20,7
K0611.00604	slitted inside	stainless steel A4	9	M3x8	6	16	20,7
K0611.00804	slitted inside	stainless steel A4	9	M3x8	8	18	22,4
K0611.01004	slitted inside	stainless steel A4	9	M3x10	10	24	26
K0611.01204	slitted inside	stainless steel A4	11	M4x12	12	28	31,8
K0611.01504	slitted inside	stainless steel A4	13	M5x16	15	34	39,4
K0611.01604	slitted inside	stainless steel A4	13	M5x16	16	34	39,4
K0611.01804	slitted inside	stainless steel A4	13	M5x16	18	36	41,1
K0611.02004	slitted inside	stainless steel A4	15	M6x18	20	40	46,4
K0611.02204	slitted inside	stainless steel A4	15	M6x18	22	42	48,1
K0611.02504	slitted inside	stainless steel A4	15	M6x18	25	45	50,8
K0611.02804	slitted inside	stainless steel A4	15	M6x18	28	48	53,7
K0611.03004	slitted inside	stainless steel A4	15	M6x18	30	54	58,6
K0611.04004	slitted inside	stainless steel A4	15	M6x18	40	60	65
K0611.05004	slitted inside	stainless steel A4	19	M8x25	50	78	87
K0611.00403	slitted inside	aluminium	9	M3x8	4	16	20,7
K0611.00503	slitted inside	aluminium	9	M3x8	5	16	20,7
K0611.00603	slitted inside	aluminium	9	M3x8	6	16	20,7
K0611.00803	slitted inside	aluminium	9	M3x8	8	18	22,4
K0611.01003	slitted inside	aluminium	9	M3x10	10	24	26
K0611.01203	slitted inside	aluminium	11	M4x12	12	28	31,8
K0611.01503	slitted inside	aluminium	13	M5x16	15	34	39,4
K0611.01603	slitted inside	aluminium	13	M5x16	16	34	39,4
K0611.01803	slitted inside	aluminium	13	M5x16	18	36	41,1
K0611.02003	slitted inside	aluminium	15	M6x18	20	40	46,4
K0611.02203	slitted inside	aluminium	15	M6x18	22	42	48,1
K0611.02503	slitted inside	aluminium	15	M6x18	25	45	50,8
K0611.02803	slitted inside	aluminium	15	M6x18	28	48	53,7
K0611.03003	slitted inside	aluminium	15	M6x18	30	54	58,6

One-piece shaft collars slitted inside

Overview of items

Order No.	Form definition	Main material	B	C (DIN 912)	D1	D2	R
K0611.04003	slitted inside	aluminium	15	M6x18	40	60	65
K0611.05003	slitted inside	aluminium	19	M8x25	50	78	87