

## Toggle press, manual version

### Item description/product images

---



### Description

**Material:**

Press stand cast steel.

For push-pull clamp see K0088

**Version:**

Press uprights painted blue.

For push-pull toggle clamps, see K0088.

**Note:**

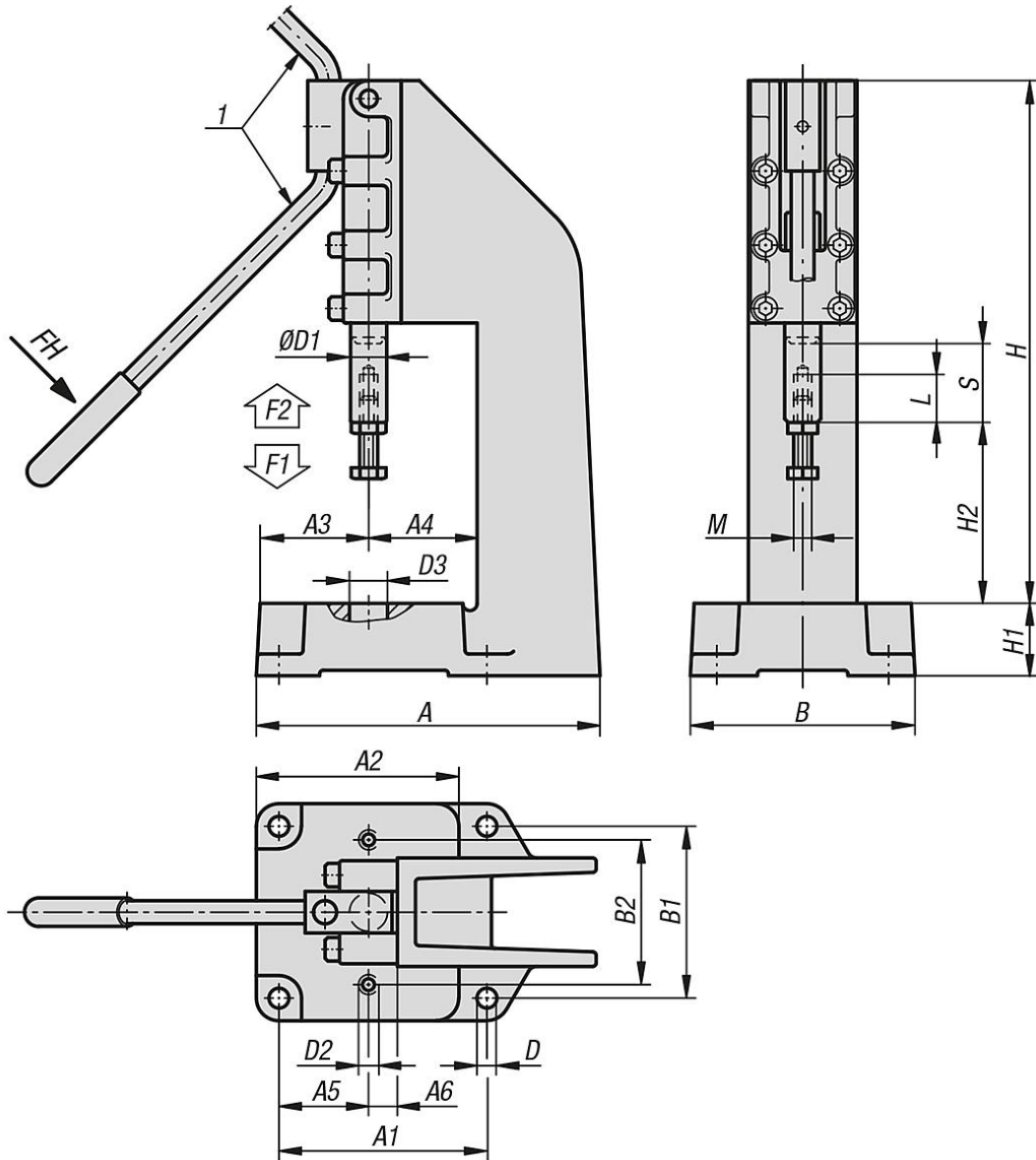
The thrust clamps can be re-ordered as a complete assembly kit. See K0088 for specifications.

**Drawing reference:**

1) handle can be mounted right or left

## Toggle press, manual version

### Drawings



### Overview of items

#### Toggle Presses for manual operation

Order No.	Opening angle of handle	Hand force FH N	Clamping force F1 N	Retaining force F2 N
K1550.06000	185°	140	3000	6000
K1550.12000	185°	160	5000	12000
K1550.25000	185°	180	7000	25000

Order No.	A	A1	A2	A3	A4	A5	A6	B	B1	B2	D	D1	D2	D3	H	H1	H2	L	M	Travel S
K1550.06000	157	95	95	56	44	46,5	12	105	80	70	9	14	M8	15,5	202	32	75	30	M8	32
K1550.12000	210	115	113	62	60	49,6	18	126	95	80	11	19,9	M10	20	290	40	100	40	M10	50
K1550.25000	238	145	139	65	75	52	22	150	125	90	11	25	M10	30	418	50	120	60	M12	75

