

## Tubular handles, plastic with plastic grip legs

### Item description/product images



### Description

**Material:**

Grip legs PA6 thermoplastic.  
Grip tube PVC thermoplastic.

**Version:**

Grip legs black.  
Grip tube black.

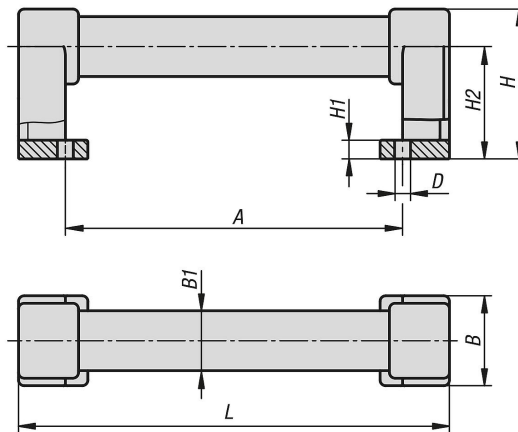
**Note:**

Optically matching K1529 and K1530.

**Assembly:**

From the front.

### Drawings



### Overview of items

#### Tubular handles, plastic

Order No.	A	B	B1	D	H	H1	H2	L	Load capacity N
K1528.180	180	48	32	8,5	80	10	60	230	1000