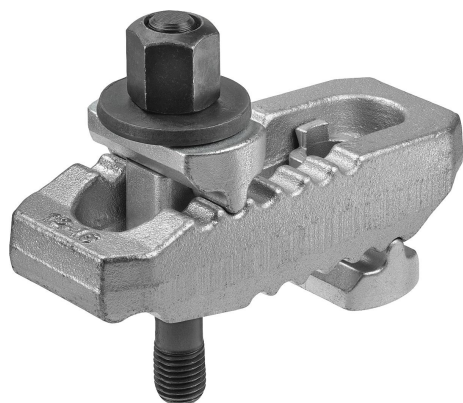


Clamp strap, adjustable, Form C

Item description/product images



Description

Material:

Steel.

Version:

Tempered and electro zinc-plated.

Complete with DIN 6379 stud, DIN 6340 washer and DIN 6330B nut.

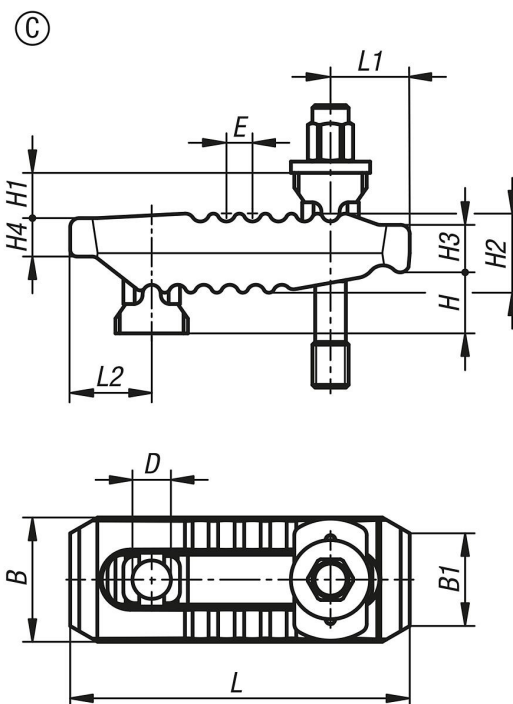
Note:

These clamp strap assemblies can be quickly and infinitely adapted to the clamping situation. The clamp straps have different heel types both sides enabling the best end to be selected depending on the specific application. These extremely versatile clamp straps are suitable for use by metal cutting or non-cutting machining and also for press and injection-moulding applications.

Accessory:

K1204 Adjustable heel supports

Drawings



Overview of items

Order No.	Form	Version 2	B	B1	D	E	H clamping range	H1	H2	H3	H4	L	L1	L2	Fastening screw(s)	Clamping force kN
K1165.312115100	C	with stud	44	30	13	11	0-30	18	27	17	12	115	25	30	M12X100	30
K1165.312115125	C	with stud	44	30	13	11	0-55	18	27	17	12	115	25	30	M12X125	30
K1165.312150125	C	with stud	55	41	17	12	0-50	20	36	21	17	150	35	36	M12X125	40
K1165.312150160	C	with stud	55	41	17	12	0-70	20	36	21	17	150	35	36	M12X160	40
K1165.316150125	C	with stud	55	41	17	12	0-40	20	36	21	17	150	35	36	M16X125	40
K1165.316150160	C	with stud	55	41	17	12	0-70	20	36	21	17	150	35	36	M16X160	40
K1165.320187160	C	with stud	62	30	21	14	0-40	30	42	27	20	187	44	44	M20X160	60

Clamp strap, adjustable, Form C

Overview of items

Order No.	Form	Version 2	B	B1	D	E	H clamping range	H1	H2	H3	H4	L	L1	L2	Fastening screw(s)	Clamping force kN
K1165.320187200	C	with stud	62	30	21	14	0-80	30	42	27	20	187	44	44	M20X200	60
K1165.320235200	C	with stud	70	30	25	17	0-70	31	51	34	24	235	60	47	M20X200	75
K1165.320235250	C	with stud	70	30	25	17	0-100	31	51	34	24	235	60	47	M20X250	75
K1165.324235200	C	with stud	70	30	25	17	0-50	31	51	34	24	235	60	47	M24X200	75
K1165.324235250	C	with stud	70	30	25	17	0-100	31	51	34	24	235	60	47	M24X250	75