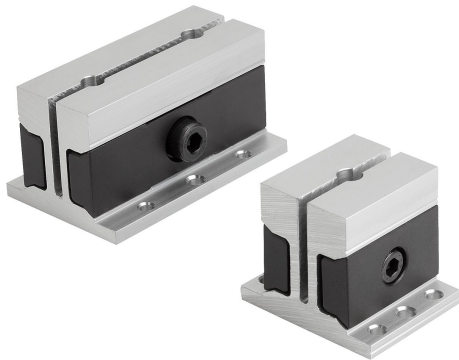


Machinable jaws rectangular

Item description/product images



Description

Material:

Body EN AC-51400.

Wedges high-carbon steel.

Version:

Body natural colour anodised.

Wedges black oxidised.

Note:

The lateral clamping screw tightens the jaws and clamps the workpiece on the circumference.

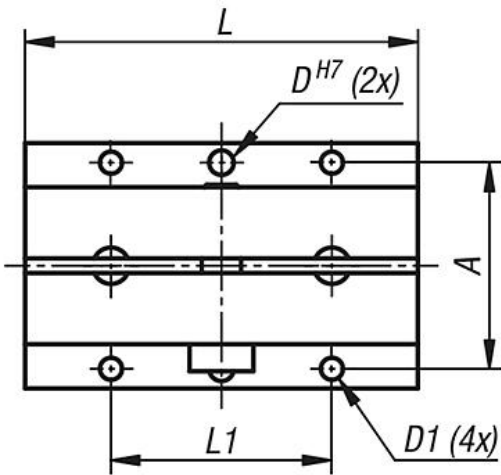
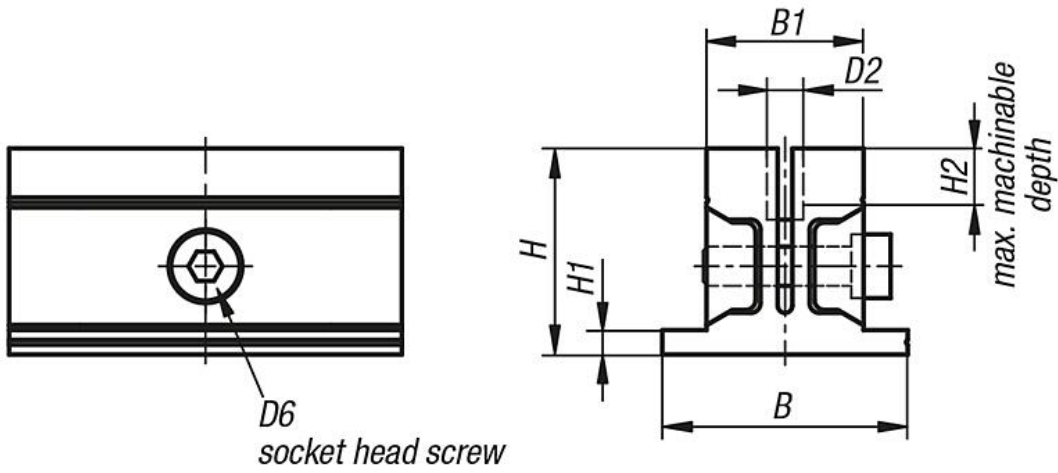
The simple and compact design allows 2 workpieces to be clamped.

The clamping travel is max. 0.5 mm.

The jaws must be pre-tensioned before machining the contour, the supplied clamping ring is used for this purpose.

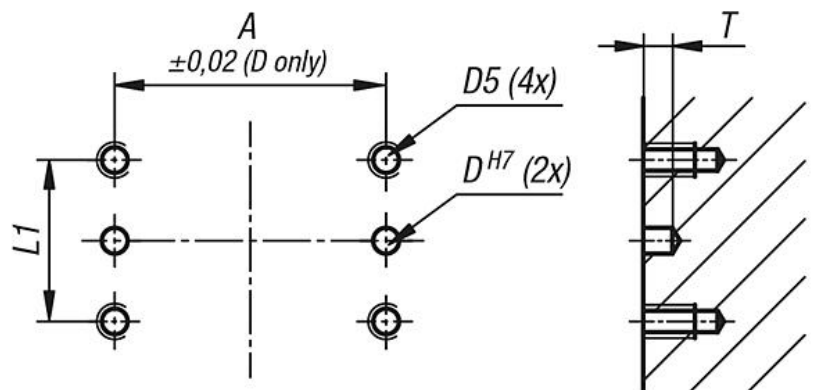
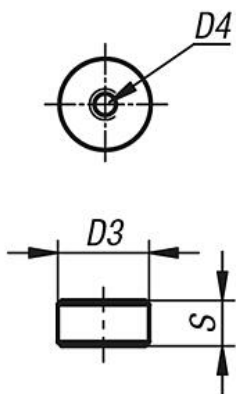
Machinable jaws rectangular

Drawings



clamp ring for machining, included

installation dimensions



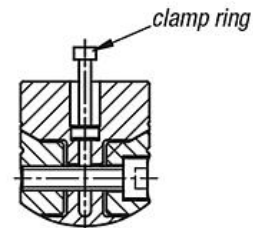
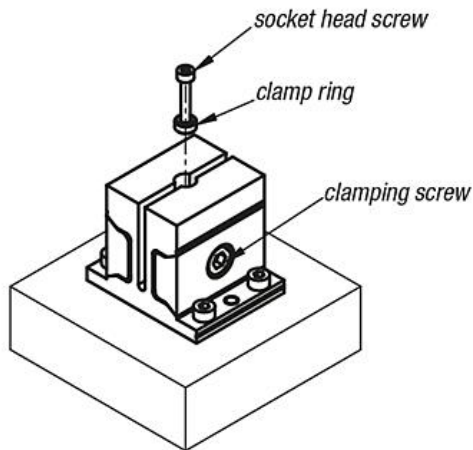
Machinable jaws rectangular

Drawings

Machining the jaws:

1. Inserting the clamp ring:

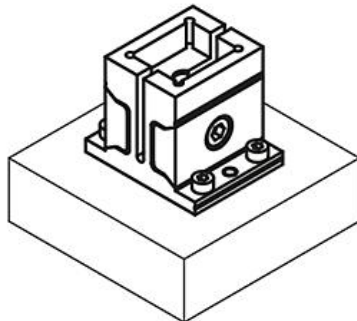
Insert the clamp ring into the bore in the centre of and between the jaws.
Tighten the clamp screw to hold the clamp ring in place.
(Use a cap screw to aid inserting the clamp ring)



Note:
The clamp ring must be placed at the bottom of the bore.

2. Machine the jaws:

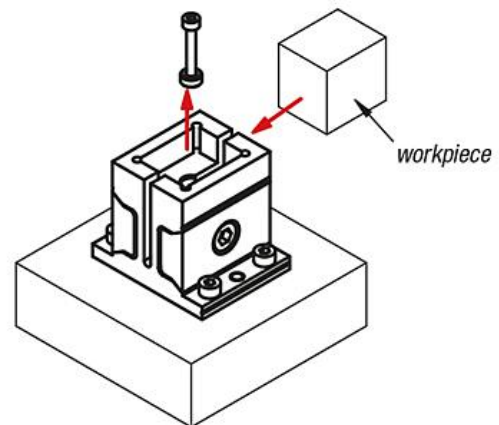
Remove the cap screw from the clamp ring.
Machine the contour of the workpiece to be held into the jaws.



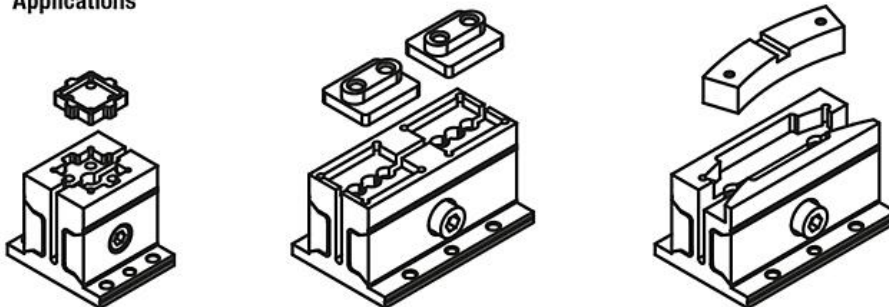
Note:
The contour should not be deeper than the max. permitted depth.

3. Mounting the workpiece:

Loosen the clamp screw and remove the clamp ring.
Place the workpiece into the contour and tighten the clamp screw.



Applications



Machinable jaws rectangular

Overview of items

Machinable jaws, rectangular

Order No.	A	B	B1	D	D1	D2	D3	D4	D5	D6	H	H1	H2	L	L1	S	T	Clamping force N	Tightening torque Nm
K1169.32040	42	50	32	5	4,5	7,4	7	M3x0,5	M4x0,7	M6	42	5	10	40	25	3,5	5	2500	7,5
K1169.32080	42	50	32	5	4,5	7,7	7	M3x0,5	M4x0,7	M8	42	5	10	80	45	3,5	5	2500	14
K1169.50050	62	72	50	6	5,5	11,4	11	M3x0,5	M5x0,8	M10	63	7	15	50	30	5,5	8	5500	26
K1169.50100	62	72	50	6	5,5	11,4	11	M3x0,5	M5x0,8	M12	63	7	15	100	58	5,5	8	5500	46