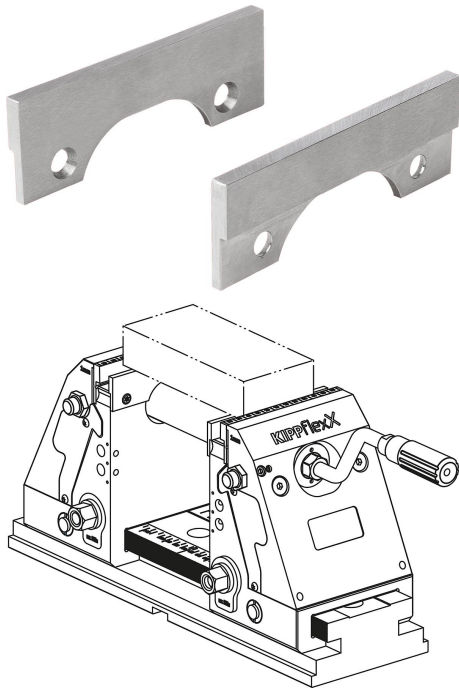


## Seating ledges screw-on

### Item description/product images



### Description

**Material:**  
Steel.

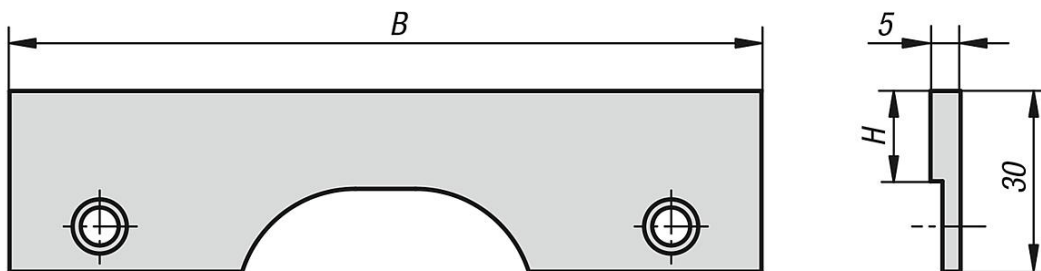
**Version:**  
Bright.

**Note:**  
Screw-on seating ledges are used to set the seating height of the workpiece. The desired seating height is achieved by milling over the screwed on ledges. A very high accuracy of the height to the machine table can be achieved.

Supplied in pairs.

**Accessory:**  
for K0973, K1555

### Drawings



### Overview of items

#### Seating ledges, screw-on

Order No.	B	H
K0974.0900515	90	15
K0974.1250515	125	15