

## Locking pin for ball lock bushes

### Item description/product images



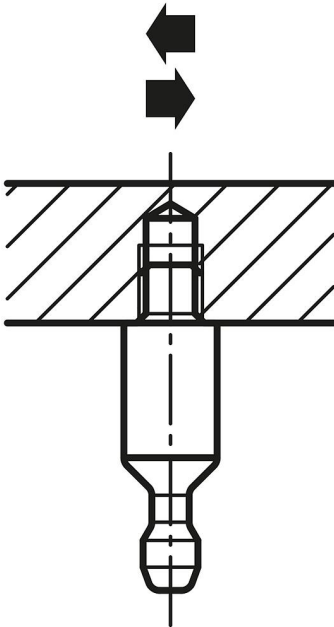
### Description

**Material:**  
Steel.

**Version:**  
Bright.

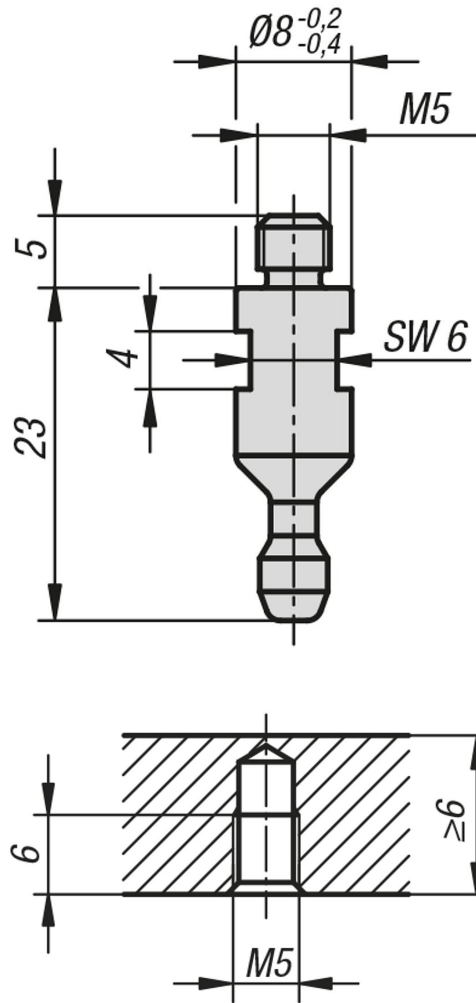
**Note:**  
Repeat accuracy  $\pm 0.25$ .  
The repeat accuracy can be increased with the aid of locating pins.

shear force



**Locking pin for ball lock bushes**

Drawings



**Overview of items**

**Locking pin for ball lock bushes**

Order No.	Shearing force kN	Temperature resistance
K1067.8	1,8	≤180 °C