

Ring bolts rotatable high-strength grade 10

Item description/product images



Description

Material:

Ring 1.6541 steel.

Screw steel.

Version:

Ring forged and high tensile tempered.

100% electromagnetic crack tested per EN 1677-1, 4x safety factor.

Plastic-coated.

Thread grade 10.9.

Note:

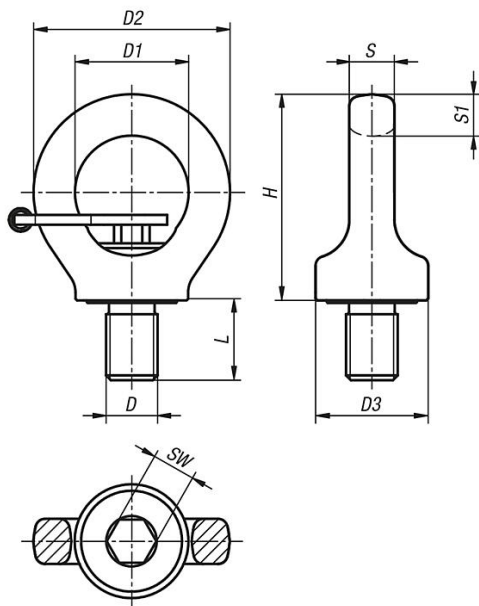
In contrast to DIN 580 ring bolts this ring bolt is rotatable, therefore the load direction is adjustable and unintended tightening or loosening is negated.

- 4x safety factor
- lateral loading up to 90° is possible
- ring can rotate 360° with tightened screw

The listed load values apply for a minimum screw length of 1x nominal thread diameter in steel with a minimum tensile strength of 363 N/mm², at an application temperature of -20 °C to +100 °C.

Ring bolts rotatable high-strength grade 10

Drawings



Maximum lifting weight "G" in kg for different sling types

Sling configuration	0°		90°		0°-45°		45°-60°	
	1	2	1	2	2	2	3-4	3-4
M8	1000	2000	300	600	420	300	630	450
M10	1000	2000	400	800	560	400	840	600
M12	2000	4000	750	1500	1000	750	1600	1120
M16	4000	8000	1500	3000	2000	1500	3150	2250
M20	6000	12000	2300	4600	3220	2300	4830	3450
M24	8000	16000	3200	6400	4480	3200	6700	4800
M30	12000	24000	4500	9000	6300	4500	9400	6700

Overview of items

Rotatable ring bolts, high-strength grade 10

Order No.	Version 2	D	D1	D2	D3	H	L	S	S1	SW	Permissible load kg
K0769.08151	with hex key	M8	25	44	25	47	12	9	9,5	6	300
K0769.10151	with hex key	M10	25	44	26	47	15	9	9,5	6	400
K0769.12181	with hex key	M12	30	52	34	55	18	11	11	8	750
K0769.16241	with hex key	M16	35	61	35	64	24	14	13	10	1500
K0769.20301	with hex key	M20	40	70	44	74	30	16	15	12	2300
K0769.24361	with hex key	M24	48	84	52	91	36	19	18	14	3200
K0769.30451	with hex key	M30	60	105	61	112	45	25	22,5	17	4500
K0769.08150	without hex key	M8	25	44	25	47	12	8	11	6	300
K0769.10150	without hex key	M10	25	44	25	47	15	8	11	6	400
K0769.12180	without hex key	M12	30	52	33	55	18	10	13	8	750
K0769.16240	without hex key	M16	35	61	35	64	24	14	13	10	1500
K0769.20300	without hex key	M20	40	70	44	74	30	16	17	12	2300
K0769.24360	without hex key	M24	48	84	52	91	36	19	21	14	3200
K0769.30450	without hex key	M30	60	108	62	112	45	27	26	17	4500

