

## Levelling feet with hole

### Item description/product images

---



### Description

**Material:**

Foot plate and threaded spindle in steel.

**Version:**

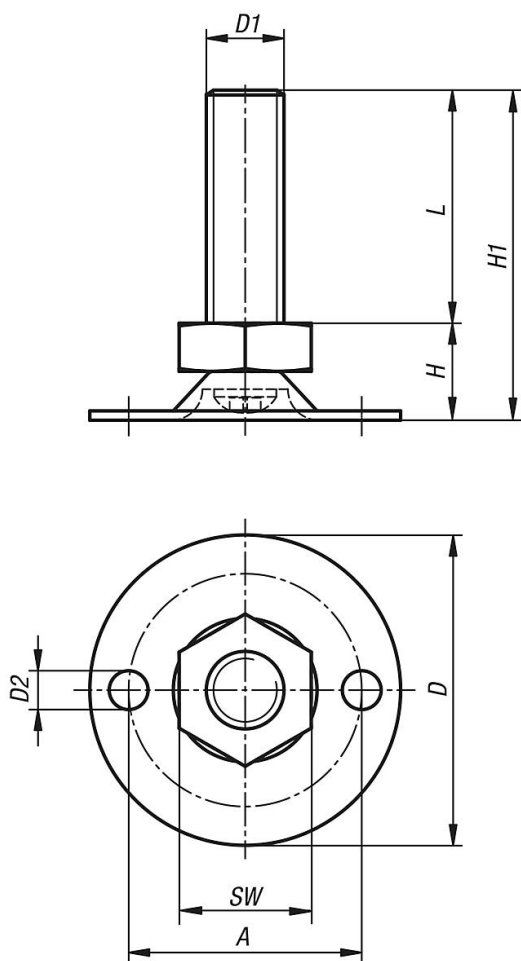
Foot plate and threaded spindle electro zinc-plated.

**Note:**

The threaded spindle is pressed into the rotatable base.

# Levelling feet with hole

## Drawings



## Overview of items

Order No.	Version 1	A	D	D1	D2	H	H1	L	SW	Load rating max. kN (static load only)
K0678.13008X016	with hole	24,3	30	M8	4	11	27	16	13	2,5
K0678.13008X020	with hole	24,3	30	M8	4	11	31	20	13	2,5
K0678.13008X030	with hole	24,3	30	M8	4	11	41	30	13	2,5
K0678.13008X040	with hole	24,3	30	M8	4	11	51	40	13	2,5
K0678.13008X050	with hole	24,3	30	M8	4	11	61	50	13	2,5
K0678.13010X016	with hole	24,3	30	M10	4	12,5	28,5	16	17	3,5
K0678.13010X020	with hole	24,3	30	M10	4	12,5	32,5	20	17	3,5
K0678.13010X030	with hole	24,3	30	M10	4	12,5	42,5	30	17	3,5
K0678.13010X040	with hole	24,3	30	M10	4	12,5	52,5	40	17	3,5
K0678.13010X050	with hole	24,3	30	M10	4	12,5	62,5	50	17	3,5
K0678.13010X060	with hole	24,3	30	M10	4	12,5	72,5	60	17	3,5
K0678.14008X016	with hole	30	40	M8	5	11	27	16	13	2,5
K0678.14008X020	with hole	30	40	M8	5	11	31	20	13	2,5
K0678.14008X030	with hole	30	40	M8	5	11	41	30	13	2,5
K0678.14008X040	with hole	30	40	M8	5	11	51	40	13	2,5
K0678.14008X050	with hole	30	40	M8	5	11	61	50	13	2,5
K0678.14010X016	with hole	30	40	M10	5	11	27	16	17	3,5
K0678.14010X020	with hole	30	40	M10	5	11	31	20	17	3,5
K0678.14010X030	with hole	30	40	M10	5	11	41	30	17	3,5
K0678.14010X040	with hole	30	40	M10	5	11	51	40	17	3,5
K0678.14010X050	with hole	30	40	M10	5	11	61	50	17	3,5
K0678.14010X060	with hole	30	40	M10	5	11	71	60	17	3,5

## Levelling feet with hole

### Overview of items

Order No.	Version 1	A	D	D1	D2	H	H1	L	SW	Load rating max. kN (static load only)
K0678.15008X016	with hole	35	50	M8	5,5	12,5	28,5	16	13	2,5
K0678.15008X020	with hole	35	50	M8	5,5	12,5	32,5	20	13	2,5
K0678.15008X030	with hole	35	50	M8	5,5	12,5	42,5	30	13	2,5
K0678.15008X040	with hole	35	50	M8	5,5	12,5	52,5	40	13	2,5
K0678.15008X050	with hole	35	50	M8	5,5	12,5	62,5	50	13	2,5
K0678.15010X016	with hole	35	50	M10	5,5	14	30	16	17	3,5
K0678.15010X020	with hole	35	50	M10	5,5	14	34	20	17	3,5
K0678.15010X030	with hole	35	50	M10	5,5	14	44	30	17	3,5
K0678.15010X040	with hole	35	50	M10	5,5	14	54	40	17	3,5
K0678.15010X050	with hole	35	50	M10	5,5	14	64	50	17	3,5
K0678.15010X060	with hole	35	50	M10	5,5	14	74	60	17	3,5
K0678.16008X016	with hole	46	60	M8	5,5	13,5	29,5	16	13	2,5
K0678.16008X020	with hole	46	60	M8	5,5	13,5	33,5	20	13	2,5
K0678.16008X030	with hole	46	60	M8	5,5	13,5	43,5	30	13	2,5
K0678.16008X040	with hole	46	60	M8	5,5	13,5	53,5	40	13	2,5
K0678.16008X050	with hole	46	60	M8	5,5	13,5	63,5	50	13	2,5
K0678.16010X016	with hole	46	60	M10	5,5	15	31	16	17	3,5
K0678.16010X020	with hole	46	60	M10	5,5	15	35	20	17	3,5
K0678.16010X030	with hole	46	60	M10	5,5	15	45	30	17	3,5
K0678.16010X040	with hole	46	60	M10	5,5	15	55	40	17	3,5
K0678.16010X050	with hole	46	60	M10	5,5	15	65	50	17	3,5
K0678.16010X060	with hole	46	60	M10	5,5	15	75	60	17	3,5