

Assembly tools

Item description/product images



Description

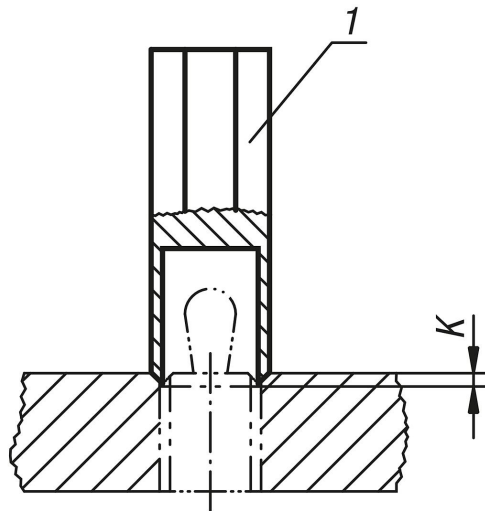
Material:
Steel.

Version:
Black oxidised.

Note:
Spring-loaded lateral plungers can fitted without problems using the assembly tool.

Drawing reference:
1) assembly tool

Drawings



Overview of items

Order No.	Suitable for lateral spring plungers with D =
K0371.06	M12
K0371.10	M18