

Four lobe grips

Item description/product images



Description

Material:

Fibreglass reinforced thermoplastic.

Tapped bush brass.

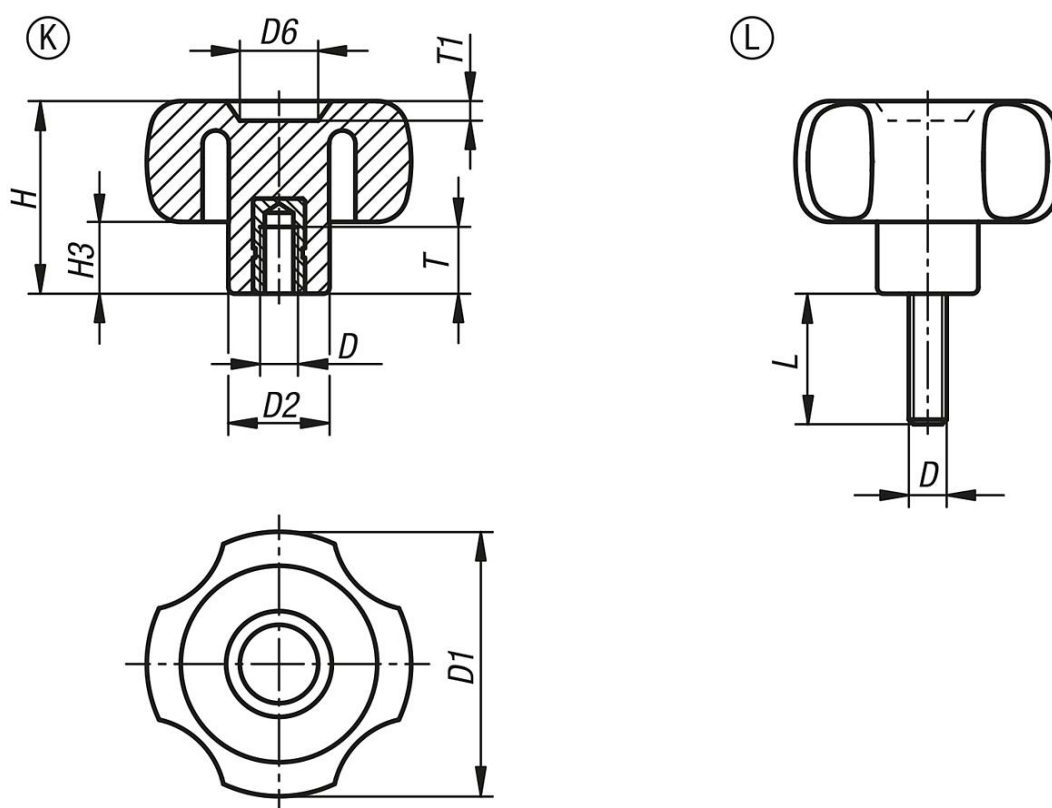
Screw steel.

Version:

Grip, black.

Screw electro zinc-plated.

Drawings



Overview of items

Order No.	Form	D	D1	D2	D6	H	H3	L	T	T1
K1093.23006	K	M6	30	15	12	23	9,5	-	10	2
K1093.24006	K	M6	40,5	15,5	12	29,5	11	-	10	3
K1093.24008	K	M8	40,5	15	12	27,5	11	-	14	3
K1093.25208	K	M8	50	20,5	14,5	32,5	11	-	14	2,5
K1093.25210	K	M10	50	20,5	14,5	32,5	11	-	13	2,5
K1093.26010	K	M10	59	23	24	40	15	-	14	4
K1093.26012	K	M12	59	23	24	40	15	-	18	4
K1093.43006X	L	M6	30	15	12	23	9,5	16/20/30/40/50	-	2
K1093.44006X	L	M6	40,5	15,5	12	29,5	11	16/20	-	3
K1093.44008X	L	M8	40,5	15	12	29,5	11	20/30/40	-	3
K1093.45208X	L	M8	50	20,5	14,5	32,5	11	16/20/30/40/50	-	2,5
K1093.46010X	L	M10	59	23	24	40	15	20/30/40/50	-	4
K1093.46012X	L	M12	59	23	24	40	15	50	-	4

Four lobe grips

Overview of items

Order No.	Form	D	D1	D2	D6	H	H3	L	T	T1
K1093.48010X	L	M10	79	30	21	41	17	30/50	-	3
K1093.48012X	L	M12	79	30	21	41	17	50	-	3