

## Swivel feet, Form G

### Item description/product images



### Description

#### Material, version:

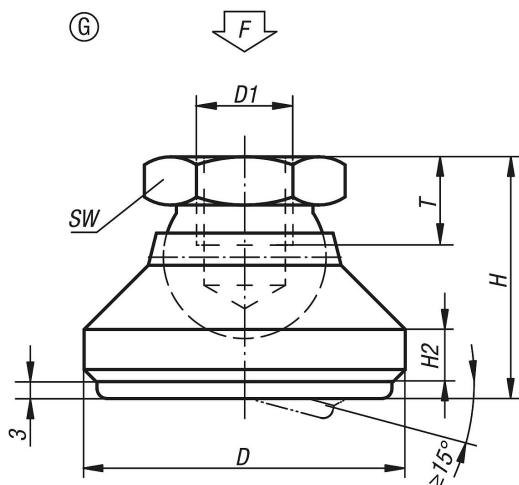
Form G: Foot carbon steel, ball element case-hardened steel, black oxidised.

Anti-slip plate thermoplastic elastomer.

#### Note:

The anti-slip plate absorbs vibrations and prevents the swivel foot slipping  
The loading indicated in the table is a recommendation up to which permanent static load the swivel foot can be used.

### Drawings



### Overview of items

Order No.	Form	D	D1	H	H2	T	SW	Load rating max. kN (static load only)
K0395.410	G	32	M10	25	5	10	17	12
K0395.412	G	40	M12	29	6	12	19	17
K0395.416	G	50	M16	35	7	14	24	20
K0395.420	G	60	M20	45	8	18	30	24