

## Cam-action indexing plungers stainless steel

### Item description/product images



### Description

#### Material:

Handle stainless steel 1.4308.  
Indexing pin stainless steel 1.4305.  
Sleeve stainless steel 1.4301.

#### Version:

Bright.  
Indexing pin ground, not hardened.

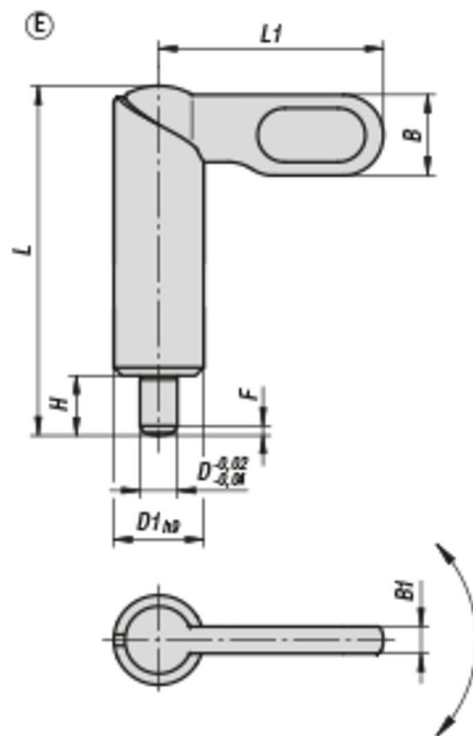
#### Note:

Cam-action indexing plungers are used when the indexing pin should not project all the time. Turning the handle through 180° retracts the pin.  
A notch ensures that the handle remains in this position.

#### Drawing reference:

Form E: grip uncoated, smooth sleeve

### Drawings



### Overview of items

#### Cam-action indexing plungers stainless steel

| Order No.     | Form | D | D1 | L  | L1 | B | B1 | H | Fx30° | Spring force<br>initial pressure<br>F1 approx. N | Spring force<br>final pressure<br>F2 approx. N |
|---------------|------|---|----|----|----|---|----|---|-------|--|--|
| K0640.1080410 | E    | 4 | 10 | 38 | 25 | 9 | 3  | 6 | 1     | 8  | 14   |
| K0640.1080510 | E    | 5 | 10 | 38 | 25 | 9 | 3  | 6 | 1,3   | 8  | 14   |
| K0640.1080610 | E    | 6 | 10 | 38 | 25 | 9 | 3  | 6 | 1,8   | 8  | 14   |

## Cam-action indexing plungers stainless steel

### Overview of items

| Order No.     | Form | D  | D1 | L    | L1 | B    | B1  | H  | Fx30° | Spring force<br>initial pressure<br>F1 approx. N | Spring force<br>final pressure<br>F2 approx. N |
|---------------|------|----|----|------|----|------|-----|----|-------|--|--|
| K0640.1080512 | E    | 5  | 12 | 46,8 | 30 | 10,8 | 3,6 | 8  | 1,3   | 8  | 15   |
| K0640.1080612 | E    | 6  | 12 | 46,8 | 30 | 10,8 | 3,6 | 8  | 1,8   | 8  | 15   |
| K0640.1080812 | E    | 8  | 12 | 46,8 | 30 | 10,8 | 3,6 | 8  | 2,3   | 8  | 15   |
| K0640.1080616 | E    | 6  | 16 | 60,4 | 40 | 14,4 | 4,8 | 10 | 1,8   | 15   | 35   |
| K0640.1080816 | E    | 8  | 16 | 60,4 | 40 | 14,4 | 4,8 | 10 | 2,3   | 15   | 35   |
| K0640.1081016 | E    | 10 | 16 | 60,4 | 40 | 14,4 | 4,8 | 10 | 2,8   | 15   | 35   |
| K0640.1080820 | E    | 8  | 20 | 70   | 50 | 18   | 6   | 12 | 2,3   | 20   | 60   |
| K0640.1081020 | E    | 10 | 20 | 70   | 50 | 18   | 6   | 12 | 2,8   | 20   | 60   |
| K0640.1081220 | E    | 12 | 20 | 70   | 50 | 18   | 6   | 12 | 3     | 20   | 60   |