

## Palm grips with internal thread

### Item description/product images



### Description

#### Material:

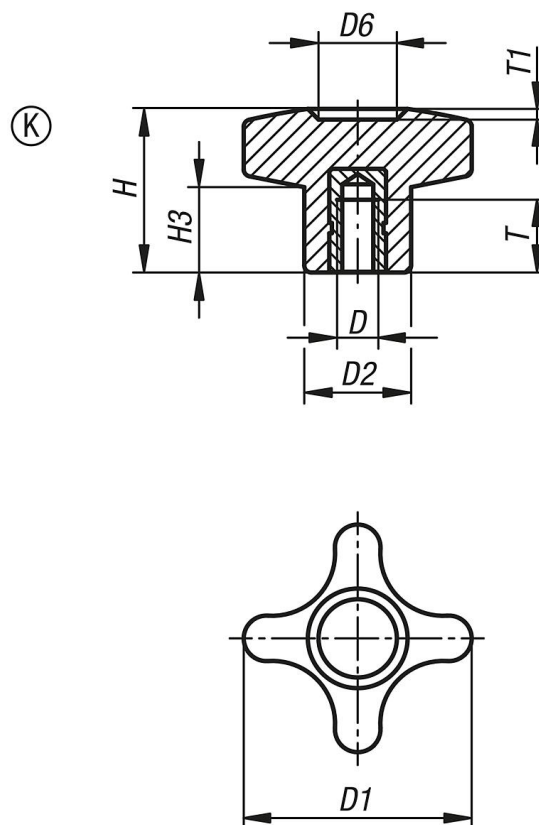
Fibreglass reinforced thermoplastic.

Tapped bush brass.

#### Version:

Grip, black.

### Drawings



### Overview of items

Order No.	Form	D	D1	D2	D6	H	H3	T	T1
K1089.23205	K	M5	32	15	11	23	12	14	1,5
K1089.23206	K	M6	32	15	11	23	12	14	1,5
K1089.24008	K	M8	40	16	13	24,5	12,5	14	1,5
K1089.25010	K	M10	50	20	14	29	15	14	2
K1089.26012	K	M12	60	24	18	34	18,5	18	2

