

Five lobe grips

Item description/product images



Description

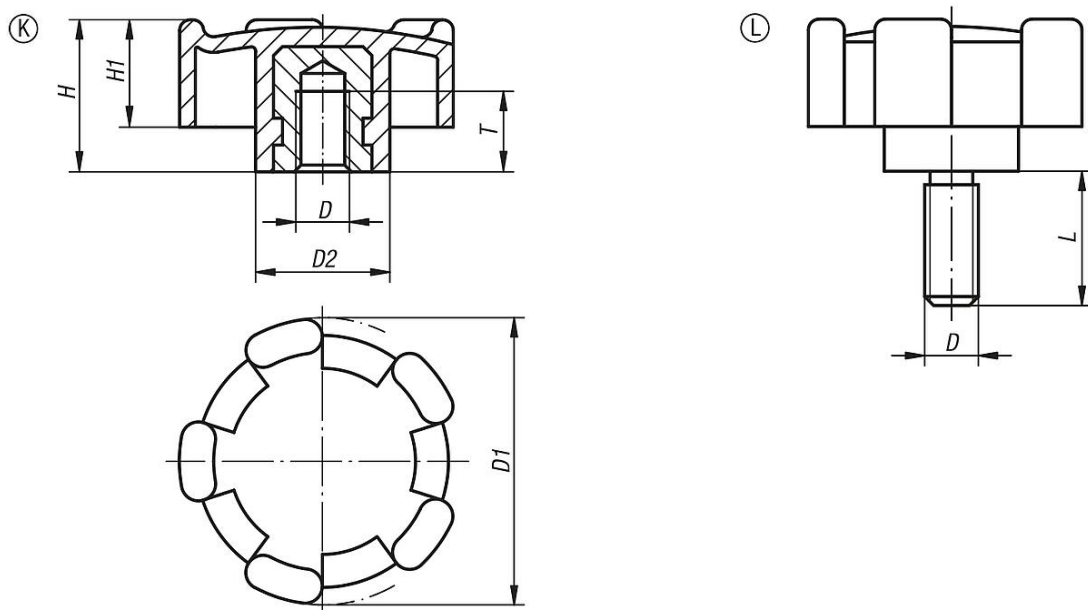
Material:

Grip black grey thermoplastic.
 Bush steel or brass.
 Screw 5.8 steel.

Version:

Steel bush electro zinc-plated.
 Screw trivalent blue passivated.

Drawings



Overview of items

Five lobe grips with internal thread

Order No.	Form	D	D1	D2	H	H1	T	L
K0276.3206	K	M6	32	15	17	12	9	-
K0276.4008	K	M8	40	18	20,5	14,5	11	-
K0276.5010	K	M10	50	20	25	18	14	-
K0276.320615	L	M6	32	15	17	12	-	15
K0276.400816	L	M8	40	18	20,5	14,5	-	16
K0276.501020	L	M10	50	20	25	18	-	20