

Wing grips tapped through

Item description/product images



Description

Material:

Grip thermoplastic.

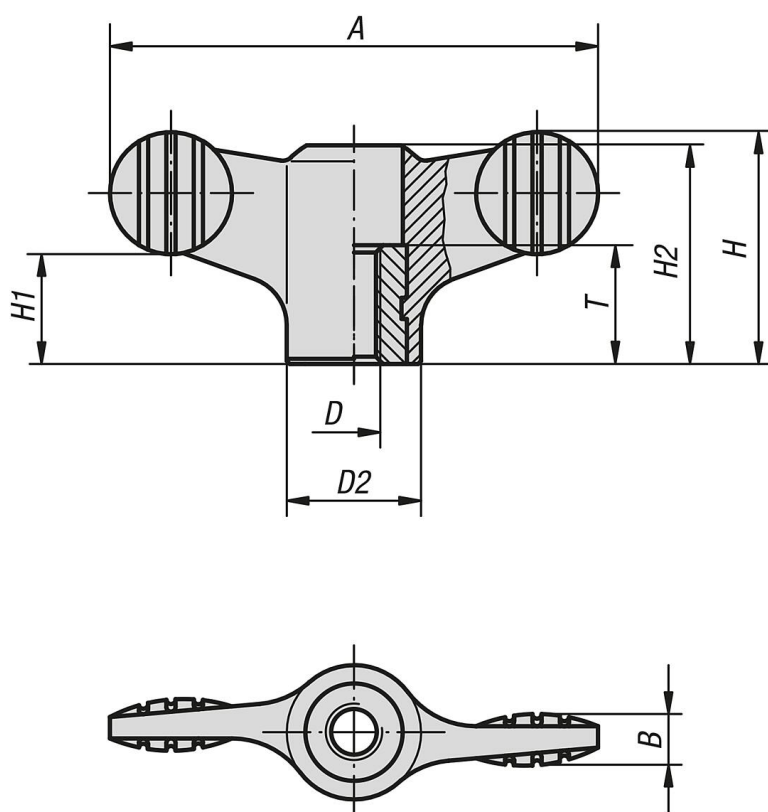
Bush steel 5.8 or stainless steel 1.4305.

Version:

Grip black grey.

Bush trivalent blue passivated steel or bright stainless steel.

Drawings



Overview of items

Wing grips with tapped through bush

| Order No. | Component material | A | B | D | D2 | H | H1 | H2 | T |
|------------|--------------------|----|-----|-----|----|------|------|------|----|
| K0274.1904 | steel | 38 | 4,5 | M4 | 12 | 18 | 8,5 | 16,1 | 10 |
| K0274.1905 | steel | 38 | 4,5 | M5 | 12 | 18 | 8,5 | 16,1 | 10 |
| K0274.1906 | steel | 38 | 4,5 | M6 | 12 | 18 | 8,5 | 16,1 | 10 |
| K0274.1105 | steel | 50 | 5 | M5 | 14 | 24 | 11,5 | 22 | 10 |
| K0274.1106 | steel | 50 | 5 | M6 | 14 | 24 | 11,5 | 22 | 10 |
| K0274.1208 | steel | 75 | 7 | M8 | 21 | 35,6 | 17 | 33,3 | 14 |
| K0274.1210 | steel | 75 | 7 | M10 | 21 | 35,6 | 17 | 33,3 | 14 |

Wing grips tapped through

Overview of items

| Order No. | Component material | A | B | D | D2 | H | H1 | H2 | T |
|-------------|--------------------|----|-----|-----|----|------|------|------|----|
| K0274.10904 | stainless steel | 38 | 4,5 | M4 | 12 | 18 | 8,5 | 16,1 | 10 |
| K0274.10905 | stainless steel | 38 | 4,5 | M5 | 12 | 18 | 8,5 | 16,1 | 10 |
| K0274.10906 | stainless steel | 38 | 4,5 | M6 | 12 | 18 | 8,5 | 16,1 | 10 |
| K0274.10105 | stainless steel | 50 | 5 | M5 | 14 | 24 | 11,5 | 22 | 10 |
| K0274.10106 | stainless steel | 50 | 5 | M6 | 14 | 24 | 11,5 | 22 | 10 |
| K0274.10208 | stainless steel | 75 | 7 | M8 | 21 | 35,6 | 17 | 33,3 | 14 |
| K0274.10210 | stainless steel | 75 | 7 | M10 | 21 | 35,6 | 17 | 33,3 | 14 |