

Wing grips internal thread, stainless steel

Item description/product images



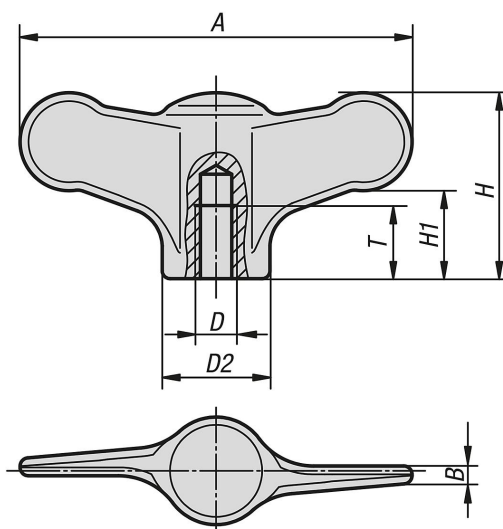
Description

Material:
Stainless steel 1.4308.

Version:
Polished or blasted.

On request:
With external threads.

Drawings



Overview of items

Wing grips with internal thread, stainless steel

| Order No. | Main colour | A | B | D | D2 | H | H1 | T |
|------------|-------------|----|-----|-----|------|----|------|----|
| K0273.904 | polished | 38 | 1,7 | M4 | 10,5 | 18 | 8,5 | 9 |
| K0273.905 | polished | 38 | 1,7 | M5 | 10,5 | 18 | 8,5 | 9 |
| K0273.906 | polished | 38 | 1,7 | M6 | 10,5 | 18 | 8,5 | 9 |
| K0273.105 | polished | 50 | 2,3 | M5 | 14 | 24 | 11,5 | 12 |
| K0273.106 | polished | 50 | 2,3 | M6 | 14 | 24 | 11,5 | 12 |
| K0273.208 | polished | 75 | 3,4 | M8 | 21 | 35 | 16,5 | 15 |
| K0273.210 | polished | 75 | 3,4 | M10 | 21 | 35 | 16,5 | 15 |
| K0273.9041 | blasted | 38 | 1,7 | M4 | 10,5 | 18 | 8,5 | 9 |
| K0273.9051 | blasted | 38 | 1,7 | M5 | 10,5 | 18 | 8,5 | 9 |
| K0273.9061 | blasted | 38 | 1,7 | M6 | 10,5 | 18 | 8,5 | 9 |
| K0273.1051 | blasted | 50 | 2,3 | M5 | 14 | 24 | 11,5 | 12 |
| K0273.1061 | blasted | 50 | 2,3 | M6 | 14 | 24 | 11,5 | 12 |
| K0273.2081 | blasted | 75 | 3,4 | M8 | 21 | 35 | 16,5 | 15 |
| K0273.2101 | blasted | 75 | 3,4 | M10 | 21 | 35 | 16,5 | 15 |

