

Pull handles, stainless steel, slanted both sides

Item description/product images



Description

Material:

Investment cast 1.4308 stainless steel.
Fasteners 1.4301 stainless steel.

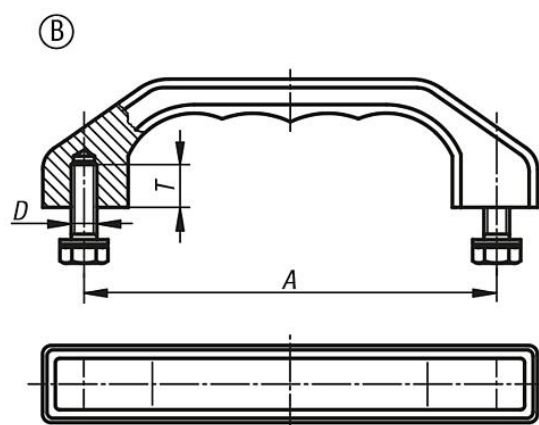
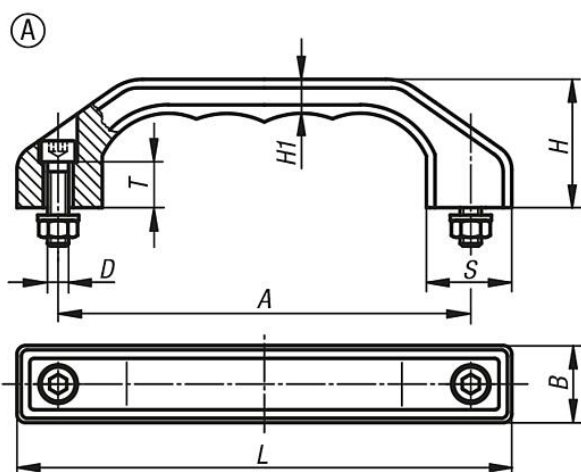
Version:

Abrasive cleaned and matt gloss electropolished.

Assembly:

Form A from the front.
Form B from the rear.

Drawings



Overview of items

Pull handles stainless steel

Order No.	Form	A	B	D	H	H1	L	S	T	Load capacity N
K0198.140081	A	140	25	M8x30	45	12	170	28	15	1000
K0198.180101	A	180	32	M10x40	58	15	218	36	18	1000
K0198.140082	B	140	25	M8x18	45	12	170	28	15	1000
K0198.180102	B	180	32	M10x20	58	15	218	36	18	1000