

Pull handles, plastic, round, slanted both sides

Item description/product images



Description

Material:

Thermoset PF 31, black.
Bushes brass or electro zinc-plated steel.

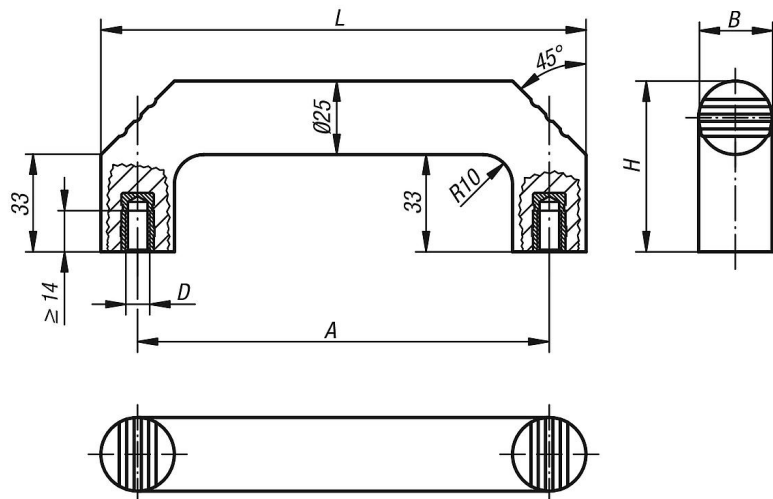
Version:

High-gloss polished.

Assembly:

From the rear.

Drawings



Overview of items

Pull handles

| Order No. | Component material | A | B | D | H | L | Load capacity N |
|--------------|--------------------|-----|----|----|----|-----|-----------------|
| K0188.114008 | brass | 140 | 25 | M8 | 58 | 165 | 500 |

Pull handles, plastic, round, slanted both sides**Overview of items**

| Order No. | Component material | A | B | D | H | L | Load capacity N |
|--------------|--------------------|-----|----|----|----|-----|-----------------|
| K0188.214008 | steel | 140 | 25 | M8 | 58 | 165 | 500 |