

T-grips

Item description/product images



Description

Material:

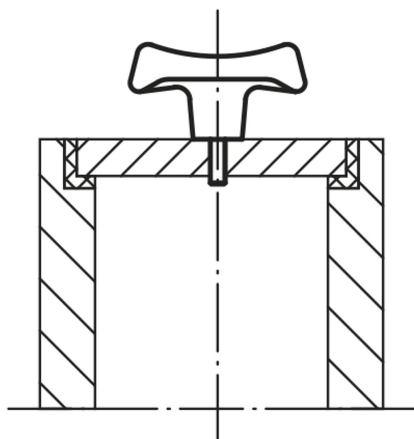
Thermoset PF 31, black.
Steel bush and stud, electro zinc-plated.

Version:

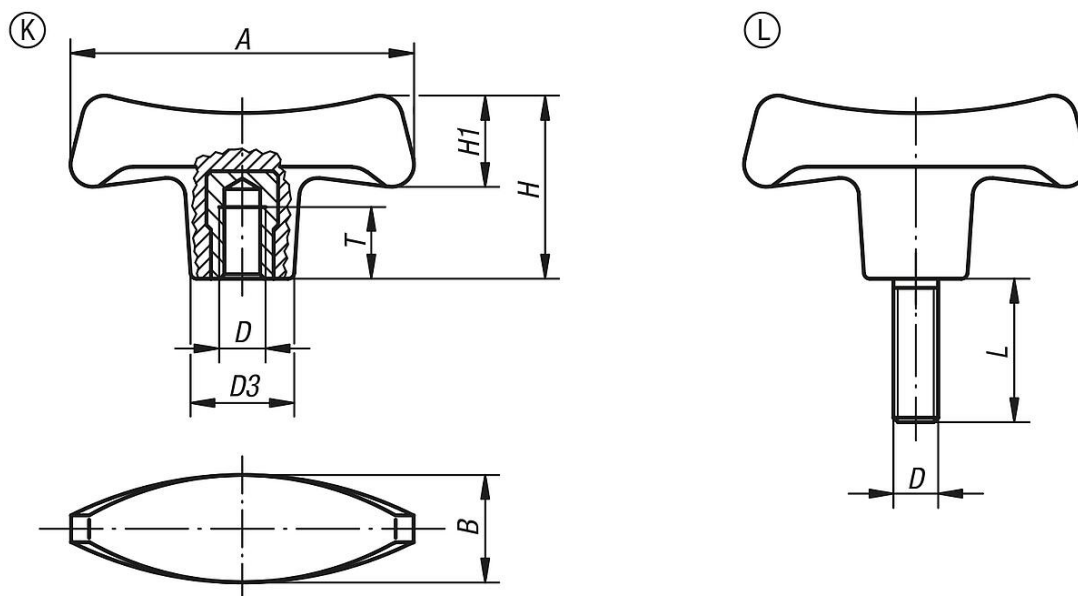
High-gloss polished.

On request:

Other screw sizes, screw lengths and colours.



Drawings



Overview of items

T-grips, with internal thread

| Order No. | Form | A | B | D | D3 | H | H1 | L | T |
|-------------|------|----|----|-----|------|------|------|---|----|
| K0181.17006 | K | 70 | 22 | M6 | 19,6 | 38,8 | 20,2 | - | 12 |
| K0181.17008 | K | 70 | 22 | M8 | 19,6 | 38,8 | 20,2 | - | 14 |
| K0181.17010 | K | 70 | 22 | M10 | 19,6 | 38,8 | 20,2 | - | 14 |
| K0181.18008 | K | 80 | 25 | M8 | 22,3 | 44 | 23 | - | 14 |

T-grips

Overview of items

| Order No. | Form | A | B | D | D3 | H | H1 | L | T |
|----------------|------|----|----|-----|------|------|------|----|----|
| K0181.18010 | K | 80 | 25 | M10 | 22,3 | 44 | 23 | - | 22 |
| K0181.19010 | K | 90 | 28 | M10 | 25 | 49,6 | 26 | - | 22 |
| K0181.19012 | K | 90 | 28 | M12 | 25 | 49,6 | 26 | - | 21 |
| K0181.27006X18 | L | 70 | 22 | M6 | 19,6 | 38,8 | 20,2 | 18 | - |
| K0181.27008X24 | L | 70 | 22 | M8 | 19,6 | 38,8 | 20,2 | 24 | - |
| K0181.28010X20 | L | 80 | 25 | M10 | 22,3 | 44 | 23 | 20 | - |
| K0181.28010X30 | L | 80 | 25 | M10 | 22,3 | 44 | 23 | 30 | - |
| K0181.29010X30 | L | 90 | 28 | M10 | 25 | 49,6 | 26 | 30 | - |
| K0181.29012X24 | L | 90 | 28 | M12 | 25 | 49,6 | 26 | 24 | - |