

Ball knobs smooth DIN 319 enhanced

Item description/product images



Description

Material:

Black thermoset PF 31.
Bush electro zinc-plated steel.

Version:

High-gloss polished.

Assembly:

Assembly, Form L: The ball knobs are installed by tapping lightly with a hammer. Please only use a rubber or plastic hammer with a weight up to 200 g!

The version K0159.21604 has a brass bush.

The versions K0159.23008, K0159.23508 and K0159.24008 have copper plated steel bushes.

Shank tolerance:

Ball knobs with press-fit sleeve can be mounted on standard shafts with tolerance h9. The supplied press-fit sleeve assures a firm and reliable fit.

Drawing reference:

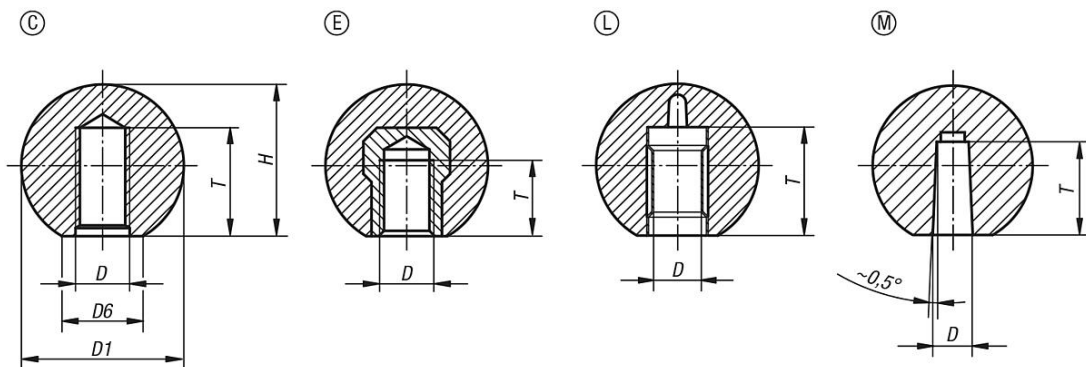
Form C: moulded thread

Form E: tapped bush

Form L: press-fit sleeve

Form M: tapered hole

Drawings



Overview of items

Ball knobs smooth DIN 319 enhanced, Form C, with molded thread

Order No.	Form	Main colour	D	D1	D6	H	T
K0159.116041	C	red	M4	16	8	15	6
K0159.116051	C	red	M5	16	8	15	7,5
K0159.120051	C	red	M5	20	12	18	7,5
K0159.120061	C	red	M6	20	12	18	9
K0159.125061	C	red	M6	25	15	23	9
K0159.125081	C	red	M8	25	15	23	12
K0159.130081	C	red	M8	30	16	28	12
K0159.132081	C	red	M8	32	18	29	12

Ball knobs smooth DIN 319 enhanced

Overview of items

Order No.	Form	Main colour	D	D1	D6	H	T
K0159.140081	C	red	M8	40	20	37,5	12
K0159.135101	C	red	M10	36	17	33	15
K0159.140101	C	red	M10	40	20	37,5	15
K0159.150101	C	red	M10	50	22	48	15
K0159.150121	C	red	M12	50	28	48	18
K0159.11604	C	black	M4	16	8	15	6
K0159.11605	C	black	M5	16	8	15	7,5
K0159.12005	C	black	M5	20	12	18	7,5
K0159.11606	C	black	M6	16	8	15	9
K0159.12006	C	black	M6	20	12	18	9
K0159.12506	C	black	M6	25	15	23	9
K0159.12508	C	black	M8	25	15	23	12
K0159.13008	C	black	M8	30	16	28	12
K0159.13208	C	black	M8	32	18	29	12
K0159.13508	C	black	M8	36	17	33	18
K0159.14008	C	black	M8	40	20	37,5	12
K0159.13210	C	black	M10	32	18	29	15
K0159.13510	C	black	M10	36	17	33	15
K0159.14010	C	black	M10	40	20	37,5	15
K0159.14510	C	black	M10	45	20	43	15
K0159.15010	C	black	M10	50	22	48	15
K0159.14012	C	black	M12	40	20	37,5	18
K0159.14512	C	black	M12	45	20	43	18
K0159.15012	C	black	M12	50	28	48	18
K0159.220051	E	red	M5	20	12	18	7,5
K0159.225061	E	red	M6	25	15	23	9
K0159.230081	E	red	M8	30	16	28	12
K0159.235101	E	red	M10	36	17	33	14
K0159.240101	E	red	M10	40	20	37,5	15
K0159.240121	E	red	M12	40	20	37,5	18
K0159.250121	E	red	M12	50	28	48	18
K0159.21604	E	black	M4	16	8	15	6
K0159.22005	E	black	M5	20	12	18	7,5
K0159.22006	E	black	M6	20	12	18	9
K0159.22506	E	black	M6	25	15	23	9
K0159.22508	E	black	M8	25	15	23	12
K0159.23008	E	black	M8	30	16	28	12
K0159.23208	E	black	M8	32	18	29	12
K0159.23508	E	black	M8	36	17	33	14
K0159.24008	E	black	M8	40	20	37,5	14
K0159.23210	E	black	M10	32	18	29	15
K0159.23510	E	black	M10	36	17	33	14
K0159.24010	E	black	M10	40	20	37,5	15
K0159.24510	E	black	M10	45	20	43	22
K0159.25010	E	black	M10	50	22	48	15
K0159.24012	E	black	M12	40	20	37,5	18
K0159.24512	E	black	M12	45	20	43	21
K0159.25012	E	black	M12	50	28	48	18
K0159.42005	L	black	5	20	12	18	13
K0159.42506	L	black	6	25	15	23	16
K0159.42508	L	black	8	25	15	23	15
K0159.43208	L	black	8	32	18	29	15
K0159.43210	L	black	10	32	18	29	20
K0159.44010	L	black	10	40	20	37,5	20
K0159.44012	L	black	12	40	20	37,5	23
K0159.45012	L	black	12	50	28	48	20
K0159.31604	M	black	4	16	8	15	9
K0159.32005	M	black	5	20	12	18	12
K0159.32506	M	black	6	25	15	23	15
K0159.32508	M	black	8	25	15	23	15
K0159.33208	M	black	8	32	18	29	15
K0159.33210	M	black	10	32	18	29	15

Ball knobs smooth DIN 319 enhanced

Overview of items

Order No.	Form	Main colour	D	D1	D6	H	T
K0159.34010	M	black	10	40	20	37,5	20
K0159.34012	M	black	12	40	20	37,5	20
K0159.35012	M	black	12	50	28	48	22