

Star grips with projecting steel bush

Item description/product images



Description

Material:

Black thermoplastic.

Steel grade 5.8 or stainless steel 1.4305.

Version:

Metal parts trivalent blue passivated steel or bright stainless steel.

Note:

Star grips with projecting steel bush and blind hole or internal thread are especially suited for cross pinning.

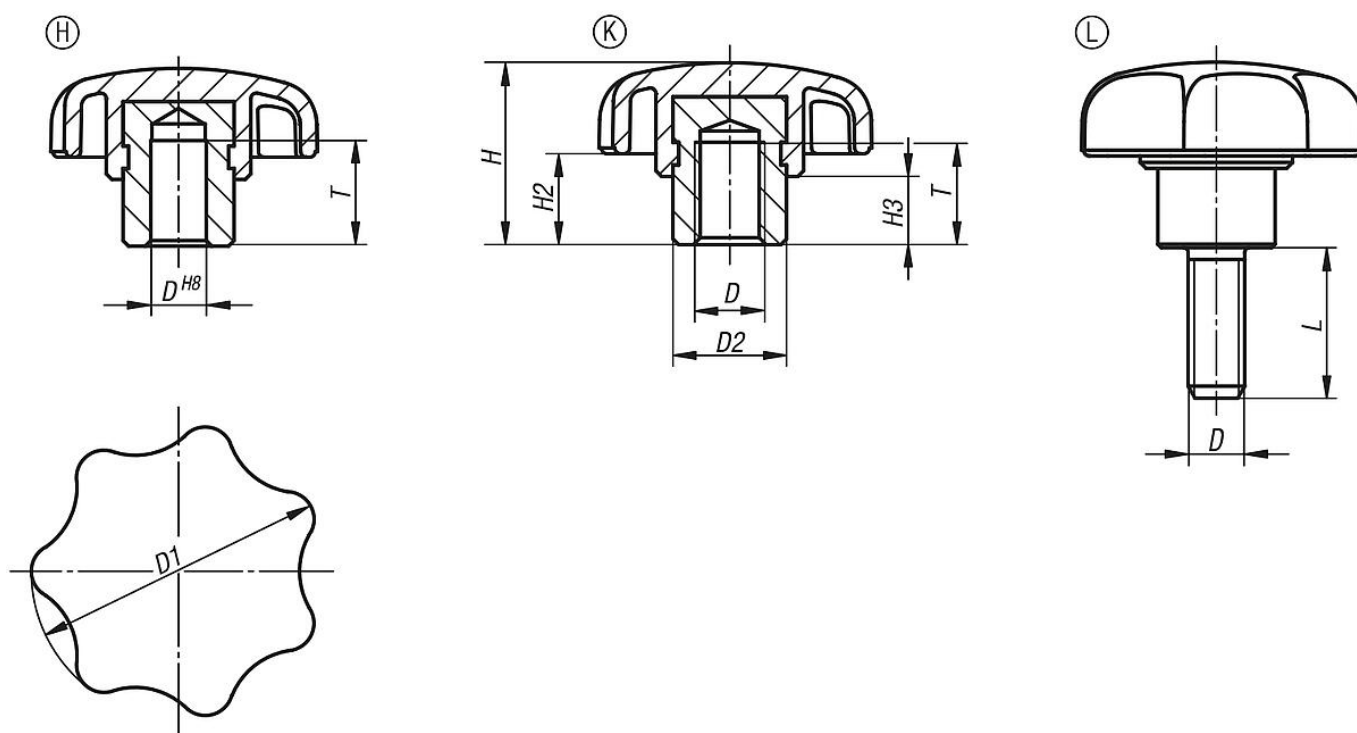
Drawing reference:

Form H: bush with blind hole

Form K: tapped bush

Form L: external thread

Drawings



Overview of items

Star grips with projecting steel bush

Order No.	Form	Component material	D	D1	D2	H	H2	H3	L	T
K0153.105	H	steel	5	25	10	17	9	7	-	9,5
K0153.106	H	steel	6	32	13,5	21	11	9,5	-	12,5
K0153.1061	H	steel	6	40	13,5	25	13	10	-	12,5
K0153.108	H	steel	8	40	13,5	25	13	10	-	12,5
K0153.1081	H	steel	8	50	19	32	17	12	-	19,5
K0153.110	H	steel	10	50	19	32	17	12	-	19,5

Star grips with projecting steel bush

Overview of items

Order No.	Form	Component material	D	D1	D2	H	H2	H3	L	T
K0153.1101	H	steel	10	63	19	37	18	12	-	19,5
K0153.112	H	steel	12	63	19	37	18	12	-	19,5
K0153.116	H	steel	16	63	23	40	21	15	-	24,5
K0153.205	K	steel	M5	25	10	17	9	7	-	9
K0153.206	K	steel	M6	32	13,5	21	11	9,5	-	12
K0153.2061	K	steel	M6	40	13,5	25	13	10	-	12
K0153.208	K	steel	M8	40	13,5	25	13	10	-	12
K0153.2081	K	steel	M8	50	19	32	17	12	-	17
K0153.210	K	steel	M10	50	19	32	17	12	-	17
K0153.2101	K	steel	M10	63	19	37	18	12	-	17
K0153.212	K	steel	M12	63	19	37	18	12	-	17
K0153.216	K	steel	M16	63	23	40	21	15	-	23
K0153.305	K	stainless steel	M5	25	10	17	9	7	-	9
K0153.306	K	stainless steel	M6	32	13,5	21	11	9,5	-	12
K0153.3061	K	stainless steel	M6	40	13,5	25	13	10	-	12
K0153.308	K	stainless steel	M8	40	13,5	25	13	10	-	12
K0153.3081	K	stainless steel	M8	50	19	32	17	12	-	17
K0153.310	K	stainless steel	M10	50	19	32	17	12	-	17
K0153.3101	K	stainless steel	M10	63	19	37	18	12	-	17
K0153.312	K	stainless steel	M12	63	19	37	18	12	-	17
K0153.316	K	stainless steel	M16	63	23	40	21	15	-	23
K0153.405X10	L	steel	M5	25	10	17	9	7	10	-
K0153.405X15	L	steel	M5	25	10	17	9	7	15	-
K0153.405X20	L	steel	M5	25	10	17	9	7	20	-
K0153.406X10	L	steel	M6	32	13,5	21	11	9,5	10	-
K0153.406X15	L	steel	M6	32	13,5	21	11	9,5	15	-
K0153.406X20	L	steel	M6	32	13,5	21	11	9,5	20	-
K0153.406X25	L	steel	M6	32	13,5	21	11	9,5	25	-
K0153.406X30	L	steel	M6	32	13,5	21	11	9,5	30	-
K0153.408X15	L	steel	M8	40	13,5	25	13	10	15	-
K0153.408X20	L	steel	M8	40	13,5	25	13	10	20	-
K0153.408X25	L	steel	M8	40	13,5	25	13	10	25	-
K0153.408X30	L	steel	M8	40	13,5	25	13	10	30	-
K0153.408X40	L	steel	M8	40	13,5	25	13	10	40	-
K0153.408X50	L	steel	M8	40	13,5	25	13	10	50	-
K0153.410X20	L	steel	M10	50	19	32	17	12	20	-
K0153.410X25	L	steel	M10	50	19	32	17	12	25	-
K0153.410X30	L	steel	M10	50	19	32	17	12	30	-
K0153.410X40	L	steel	M10	50	19	32	17	12	40	-
K0153.410X50	L	steel	M10	50	19	32	17	12	50	-
K0153.410X60	L	steel	M10	50	19	32	17	12	60	-
K0153.412X20	L	steel	M12	63	19	37	18	12	20	-
K0153.412X25	L	steel	M12	63	19	37	18	12	25	-
K0153.412X30	L	steel	M12	63	19	37	18	12	30	-
K0153.412X40	L	steel	M12	63	19	37	18	12	40	-
K0153.412X50	L	steel	M12	63	19	37	18	12	50	-
K0153.412X60	L	steel	M12	63	19	37	18	12	60	-
K0153.505X10	L	stainless steel	M5	25	10	17	9	7	10	-
K0153.505X15	L	stainless steel	M5	25	10	17	9	7	15	-
K0153.505X20	L	stainless steel	M5	25	10	17	9	7	20	-
K0153.506X10	L	stainless steel	M6	32	13,5	21	11	9,5	10	-
K0153.506X15	L	stainless steel	M6	32	13,5	21	11	9,5	15	-
K0153.506X20	L	stainless steel	M6	32	13,5	21	11	9,5	20	-
K0153.506X25	L	stainless steel	M6	32	13,5	21	11	9,5	25	-
K0153.506X30	L	stainless steel	M6	32	13,5	21	11	9,5	30	-
K0153.508X15	L	stainless steel	M8	40	13,5	25	13	10	15	-
K0153.508X20	L	stainless steel	M8	40	13,5	25	13	10	20	-
K0153.508X25	L	stainless steel	M8	40	13,5	25	13	10	25	-
K0153.508X30	L	stainless steel	M8	40	13,5	25	13	10	30	-
K0153.508X40	L	stainless steel	M8	40	13,5	25	13	10	40	-
K0153.508X50	L	stainless steel	M8	40	13,5	25	13	10	50	-
K0153.510X20	L	stainless steel	M10	50	19	32	17	12	20	-

Star grips with projecting steel bush

Overview of items

Order No.	Form	Component material	D	D1	D2	H	H2	H3	L	T
K0153.510X25	L	stainless steel	M10	50	19	32	17	12	25	-
K0153.510X30	L	stainless steel	M10	50	19	32	17	12	30	-
K0153.510X40	L	stainless steel	M10	50	19	32	17	12	40	-
K0153.510X50	L	stainless steel	M10	50	19	32	17	12	50	-
K0153.510X60	L	stainless steel	M10	50	19	32	17	12	60	-
K0153.512X20	L	stainless steel	M12	63	19	37	18	12	20	-
K0153.512X25	L	stainless steel	M12	63	19	37	18	12	25	-
K0153.512X30	L	stainless steel	M12	63	19	37	18	12	30	-
K0153.512X40	L	stainless steel	M12	63	19	37	18	12	40	-
K0153.512X50	L	stainless steel	M12	63	19	37	18	12	50	-
K0153.512X60	L	stainless steel	M12	63	19	37	18	12	60	-