

## Triangular grips ergonomic

### Item description/product images



### Description

#### Material:

Hard components fibreglass reinforced plastic.  
Soft components thermoplastic elastomer.  
Bush or screw, steel grade 5.8 or stainless steel 1.4305.

#### Version:

Steel trivalent blue passivated.  
Stainless steel, bright.

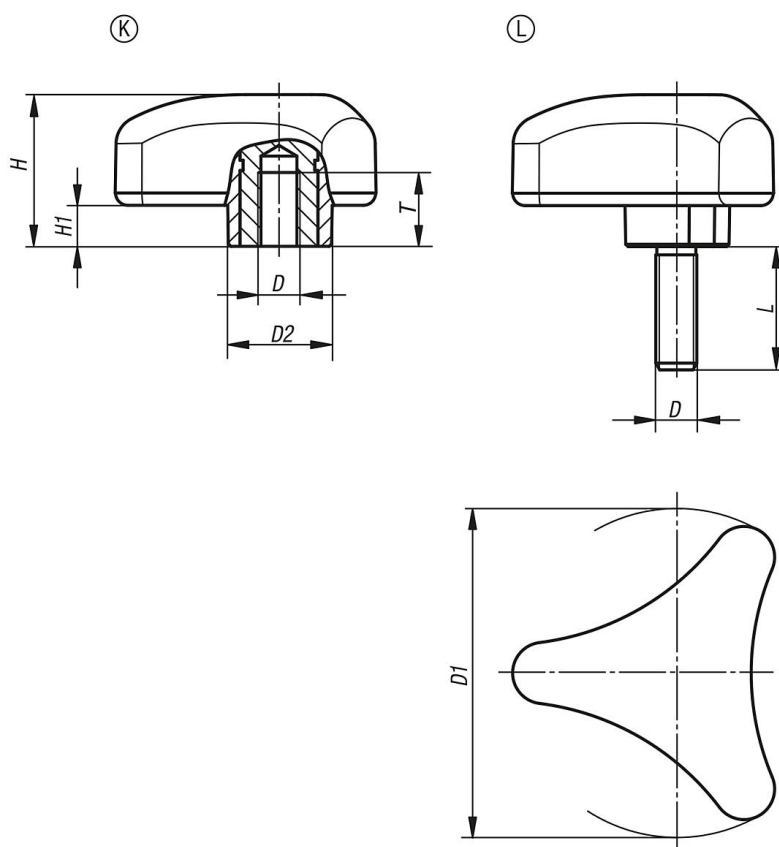
#### Note:

The colour combination  
black grey RAL 7021 (hard components) and  
black grey RAL 7021 (soft components)  
are supplied as standard.

#### On request:

Other versions.

### Drawings



### Overview of items

#### Triangular grips ergonomic with internal thread

## Triangular grips ergonomic

### Overview of items

Order No.	Form	Component material	D	D1	D2	H	H1	T	L
K0785.8008	K	steel	M8	80	26	37	10	17	-
K0785.8010	K	steel	M10	80	26	37	10	17	-
K0785.8012	K	steel	M12	80	26	37	10	17	-
K0785.08008	K	stainless steel	M8	80	26	37	10	17	-
K0785.08010	K	stainless steel	M10	80	26	37	10	17	-
K0785.08012	K	stainless steel	M12	80	26	37	10	17	-
K0785.8008X20	L	steel	M8	80	26	37	10	-	20
K0785.8008X25	L	steel	M8	80	26	37	10	-	25
K0785.8008X30	L	steel	M8	80	26	37	10	-	30
K0785.8008X40	L	steel	M8	80	26	37	10	-	40
K0785.8010X30	L	steel	M10	80	26	37	10	-	30
K0785.8010X40	L	steel	M10	80	26	37	10	-	40
K0785.8010X50	L	steel	M10	80	26	37	10	-	50
K0785.8012X30	L	steel	M12	80	26	37	10	-	30
K0785.8012X40	L	steel	M12	80	26	37	10	-	40
K0785.8012X50	L	steel	M12	80	26	37	10	-	50
K0785.8012X60	L	steel	M12	80	26	37	10	-	60
K0785.08008X20	L	stainless steel	M8	80	26	37	10	-	20
K0785.08008X25	L	stainless steel	M8	80	26	37	10	-	25
K0785.08008X30	L	stainless steel	M8	80	26	37	10	-	30
K0785.08008X40	L	stainless steel	M8	80	26	37	10	-	40
K0785.08010X30	L	stainless steel	M10	80	26	37	10	-	30
K0785.08010X40	L	stainless steel	M10	80	26	37	10	-	40
K0785.08010X50	L	stainless steel	M10	80	26	37	10	-	50
K0785.08012X30	L	stainless steel	M12	80	26	37	10	-	30
K0785.08012X40	L	stainless steel	M12	80	26	37	10	-	40
K0785.08012X50	L	stainless steel	M12	80	26	37	10	-	50
K0785.08012X60	L	stainless steel	M12	80	26	37	10	-	60