

Locking washers for clamping spindles

Item description/product images

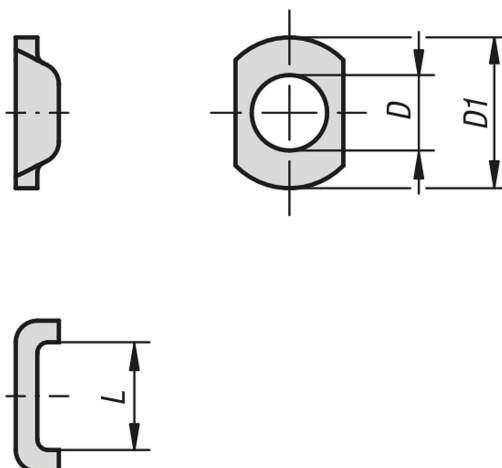


Description

Material:
Steel.

Version:
Electro zinc-plated.

Drawings



Overview of items

Locking washers for clamping spindles

Order No.	D through hole for	D1	L
K0107.05	M5	13	9
K0107.051	M5	15	10
K0107.06	M6	18	12
K0107.08	M8	22	15
K0107.10	M10	26	20
K0107.12	M12	32	23
K0107.16	M16	35	27

