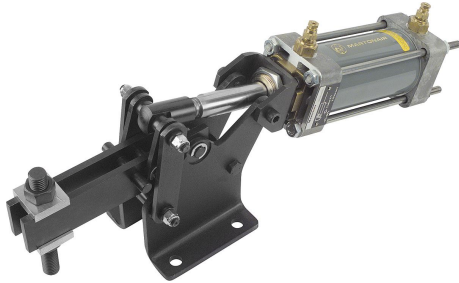


Pneumatic clamps horizontal heavy-duty version

Item description/product images



Description

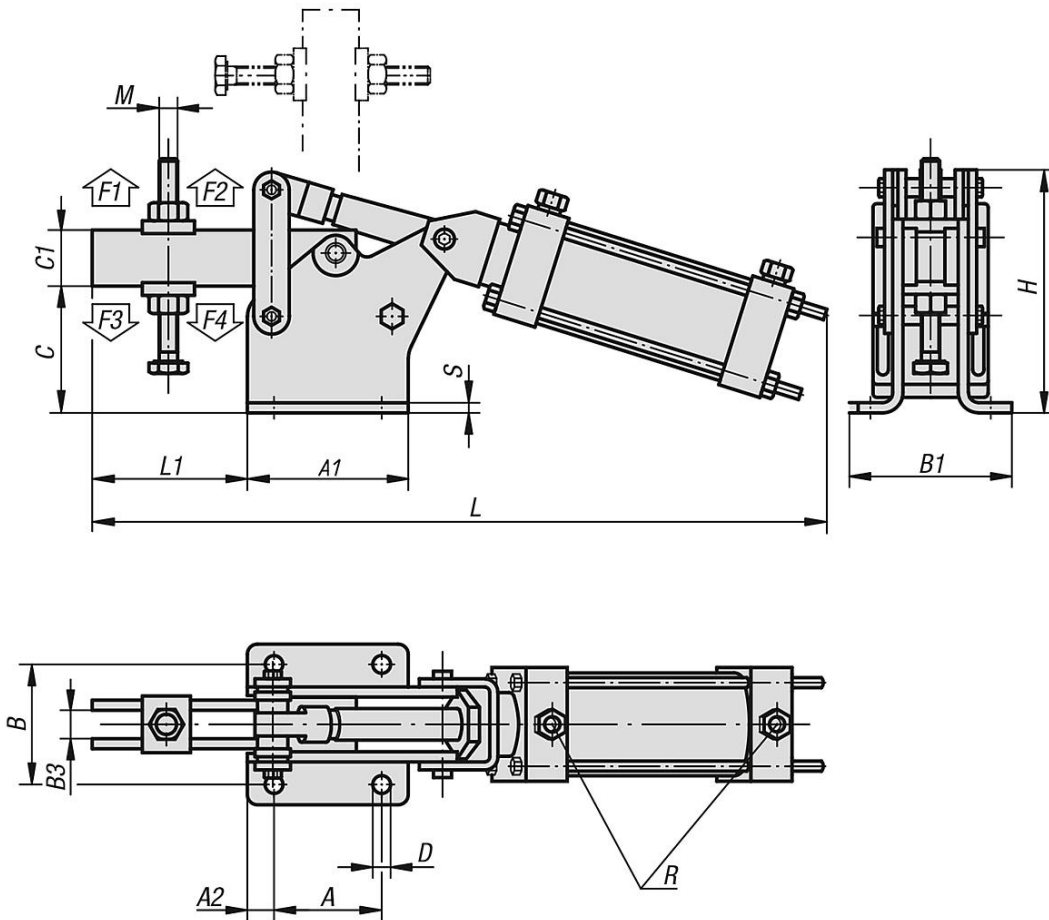
Material:
Steel.

Version:
Black oxidised. Cylinder painted.

On request:
Proximity reed switch.

Pneumatic cylinder:
Double-acting with adjustable end of stroke dampening both ways.

Drawings



Overview of items

Pneumatic clamp horizontal, heavy-duty version

Order No.	Air consumption per cycle	Opening angle of holding arm	Holding force at 6 bar F1 N	Holding force at 6 bar F2 N	Clamping force at 6 bar F3 N	Clamping force at 6 bar F4 N
K0092.2000	0,76 dm ³	85°	9000	20000	6500	8000

Pneumatic clamps horizontal heavy-duty version

Overview of items

Order No.	A	A1	A2	B	B1	B3	C	C1	D	H	L	L1	M	S	R	P=Operating pressure bar	strokes per min. at 6 bar
K0092.2000	85	128	21	95	126	19	102	45	14,2	195	592	127	M18x150	8	G 3/8	2 - 6	10