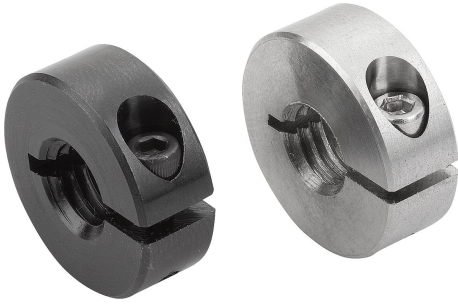


Shaft collars tapped

Item description/product images



Description

Material:

Steel.
Stainless steel 1.4305.

Version:

Steel black oxidised.
Screw 12.9 steel.
Stainless steel bright.
Screw A2-70 stainless steel.

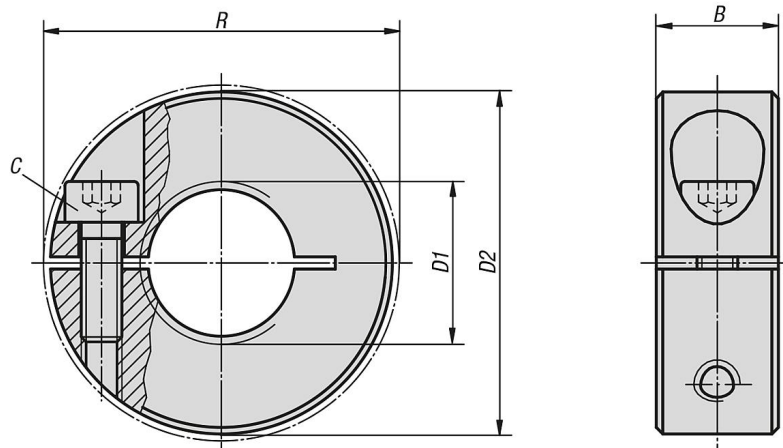
Note:

Shaft collars with thread surround the shaft with an equal distribution of clamping forces.
The shaft collars can be used on threaded rods or shafts with a thread tolerance of 6g.

Temperature range:

-40 °C - +175 °C.

Drawings



Overview of items

Shaft collars tapped

Order No.	Main material	B	C	D1 internal thread	D2	R
K0986.0401	steel	9	M3x8	M4	16	20,7
K0986.0501	steel	9	M3x8	M5	16	20,7
K0986.0601	steel	9	M3x8	M6	16	20,7
K0986.0801	steel	9	M3x8	M8	18	22,4
K0986.1001	steel	9	M3x10	M10	24	26
K0986.1201	steel	11	M4x12	M12	28	31,8
K0986.1601	steel	13	M5x16	M16	34	39,4
K0986.2001	steel	15	M6x18	M20	40	46,4
K0986.0402	stainless steel	9	M3x8	M4	16	20,7
K0986.0502	stainless steel	9	M3x8	M5	16	20,7

Shaft collars tapped

Overview of items

Order No.	Main material	B	C	D1 internal thread	D2	R
K0986.0602	stainless steel	9	M3x8	M6	16	20,7
K0986.0802	stainless steel	9	M3x8	M8	18	22,4
K0986.1002	stainless steel	9	M3x10	M10	24	26
K0986.1202	stainless steel	11	M4x12	M12	28	31,8
K0986.1602	stainless steel	13	M5x16	M16	34	39,4
K0986.2002	stainless steel	15	M6x18	M20	40	46,4