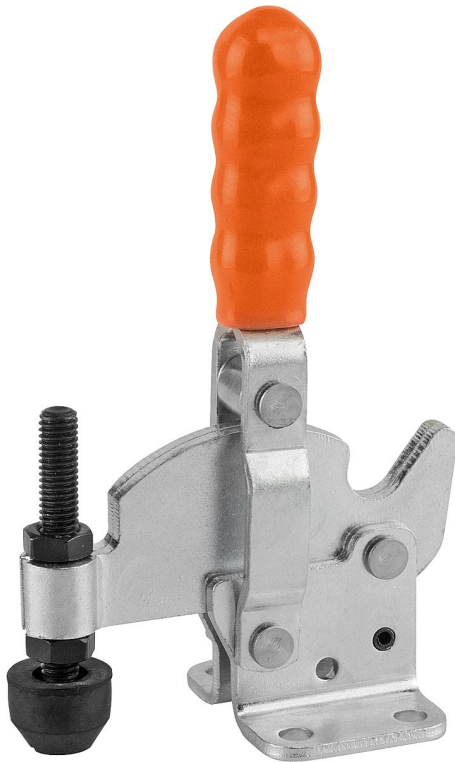


Toggle clamps vertical cam with flat foot

Item description/product images



Description

Material:

Steel.

Version:

Trivalent passivated.

Clamping spindle and nuts phosphated.

Plastic grip oil-resistant.

Note:

Cam clamps are ideal for clamping workpieces with a relatively large tolerance such as casting blanks or nonferrous metals.

Accessory:

K0098

K0100

K0101

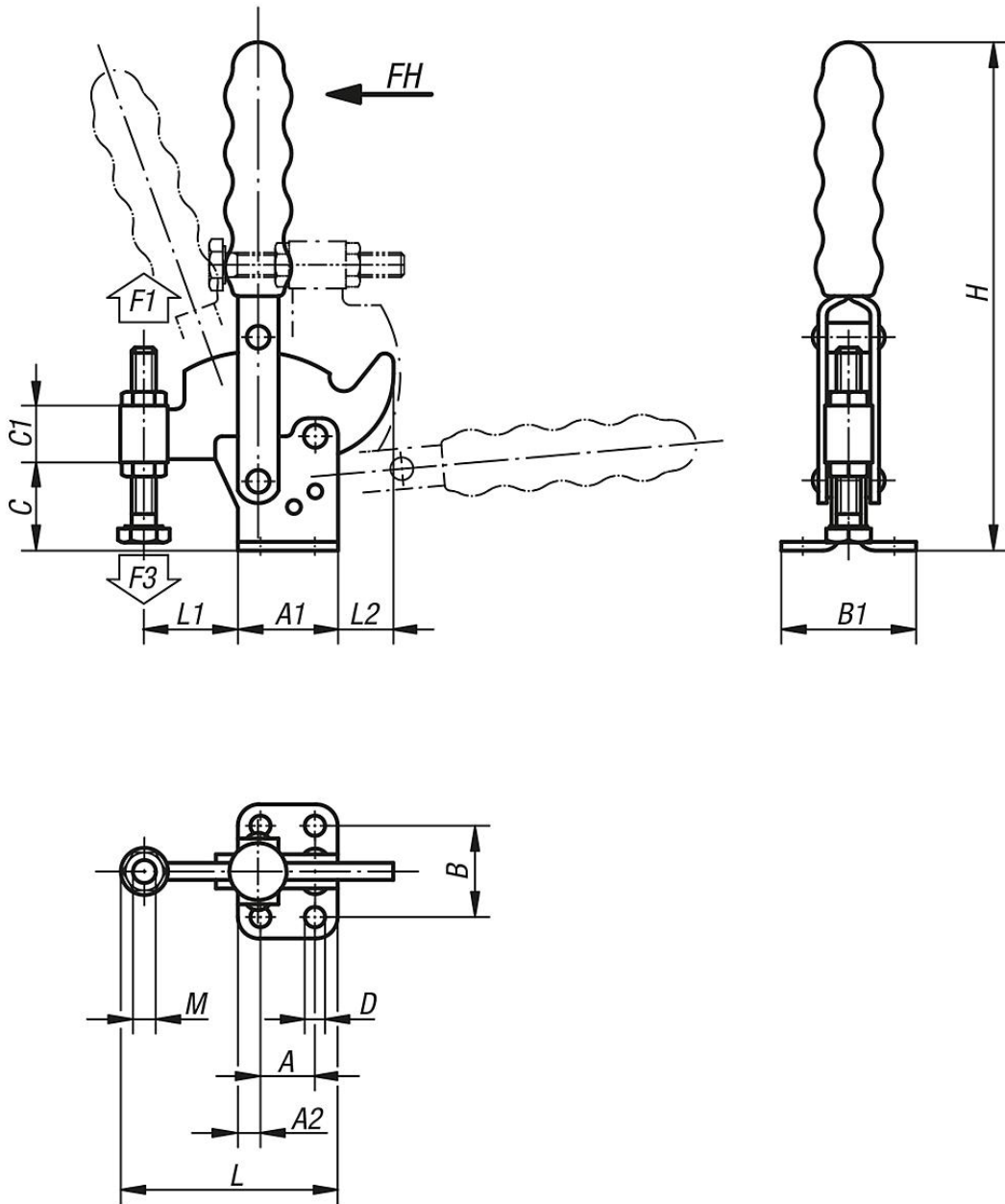
K0102

K0103

K0106

Toggle clamps vertical cam with flat foot

Drawings



Overview of items

Toggle clamps vertical cam with flat foot

| Order No. | Opening angle of holding arm | Opening angle of handle | Hand force FH N | Retaining force F1 N | Clamping force F3 N | Matching plastic grip |
|------------|------------------------------|-------------------------|-----------------|----------------------|---------------------|-----------------------|
| K0065.0075 | 90° | 80° | 190 | 750 | 350 - 600 | K0100.16 |
| K0065.0250 | 85° | 80° | 190 | 2500 | 850 - 1200 | K0100.28 |
| K0065.0350 | 90° | 80° | 230 | 3500 | 950 - 1400 | K0100.30 |

| Order No. | A | A1 | A2 | B | B1 | C | C1 | D | H | L | L1 | L2 | M | Order No. Angle bracket |
|------------|----|----|----|----|----|----|------|-----|-----|-----|----|----|--------|-------------------------|
| K0065.0075 | 16 | 26 | 5 | 24 | 34 | 16 | 9,5 | 4,4 | 93 | 52 | 22 | 7 | M5x35 | K0098.02 |
| K0065.0250 | 19 | 35 | 8 | 32 | 47 | 30 | 21,5 | 7,1 | 176 | 74 | 32 | 20 | M8x60 | K0098.04 |
| K0065.0350 | 32 | 50 | 9 | 45 | 64 | 42 | 25,5 | 8,3 | 220 | 116 | 59 | 13 | M10x80 | K0098.06 |

