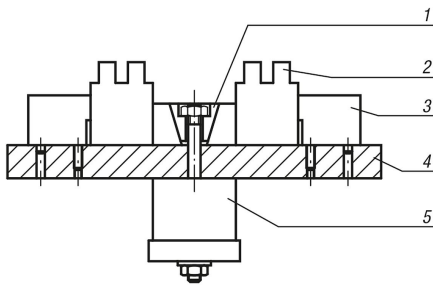
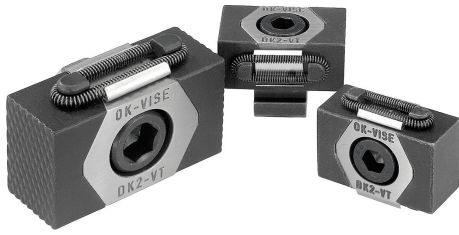


Wedge clamps machinable

Item description/product images



Description

Material:

Body tool steel.

Jaw segments tool steel (30 HRC).

Version:

Body hardened.

Jaw segments black oxidised.

Wedge faces ground.

Note:

These wedge clamps have a machining allowance per jaw of 3 mm for version K0041.08 and 5 mm for versions K0041.12 and K0041.16.

This extra material allows the jaws to be machined to suit the form of the workpiece.

The jaws version K0041.08 and K0041.0810 are not serrated.

Spread width:

K0041.08 = ± 0.5 mm

K0041.12 = ± 1.0 mm

K0041.16 = ± 1.5 mm

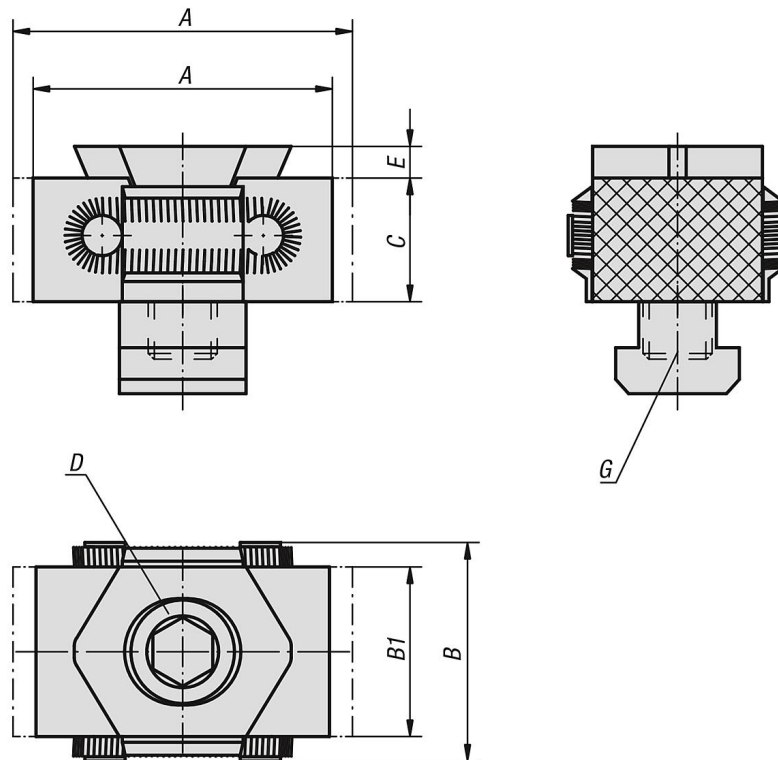
Drawing reference:

D) DIN 912 cap screw

- 1) wedge clamps
- 2) workpiece
- 3) fixed stop
- 4) base plate
- 5) hydraulic/pneumatic cylinder

Wedge clamps machinable

Drawings



Overview of items

Wedge clamps machinable

Order No.	A min.	A max.	B	B1	C	D	E	Version 2	G	Clamping force max. kN	Tightening torque max. Nm
K0041.08	33	37	29	21	15	M8X25	2,5	for tapped hole	M8	15	25
K0041.0810	33	37	29	21	15	M8X25	2,5	for t-slot	10	15	25
K0041.12	52	59	41	30	22	M12X40	4	for tapped hole	M12	30	85
K0041.1214	52	59	41	30	22	M12X30	4	for t-slot	14	30	85
K0041.16	67	76	56	42	29	M16X60	5	for tapped hole	M16	50	210
K0041.1618	67	76	56	42	29	M16X50	5	for t-slot	18	50	210