

Keys for latches and locks

Item description/product images



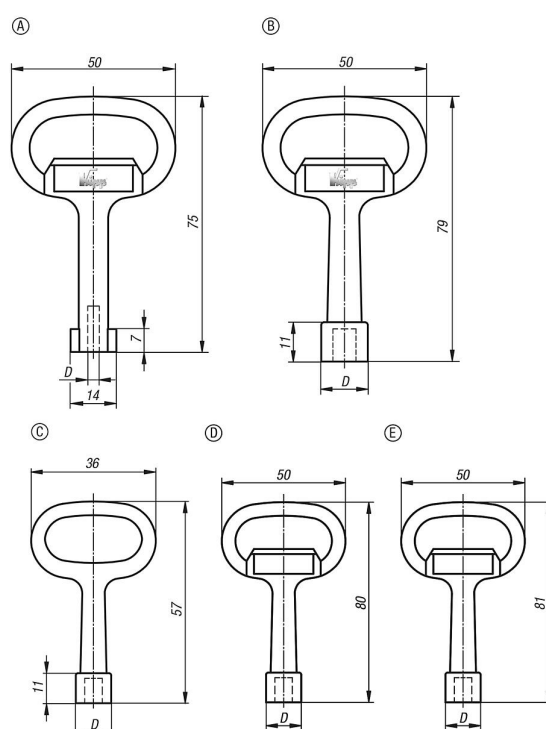
Description

Material:
Die-cast zinc.

Version:
Trivalent passivated.
Form E bright.

Note:
For operating compression latches and quarter-turn locks.

Drawings



Overview of items

Keys for latches and locks

Order No.	Form	Version 1	Surface finish body	D
K0535.45	A	double lug 5 mm	chromed	5
K0535.43	A	double lug 3 mm	chromed	3
K0535.18	B	square 8 mm	chromed	15
K0535.17	B	square 7 mm	chromed	15
K0535.16	C	square 6 mm	chromed	11,5
K0535.87	D	Triangle 7 mm	chromed	14
K0535.865	E	triangle 6.5 mm	bright	11,5

