

Quarter-turn locks stainless steel

Item description/product images



Description

Material:

Stainless steel 1.4305.

Version:

Bright.

Note:

Rating IP65. Achieved using an additional O-ring underneath the actuator and a PUR seal foamed onto the housing. The quarter-turn lock can be installed pre-assembled.

Accessory:

Key K0535.

Tongue for stainless steel quarter-turn lock K1114.

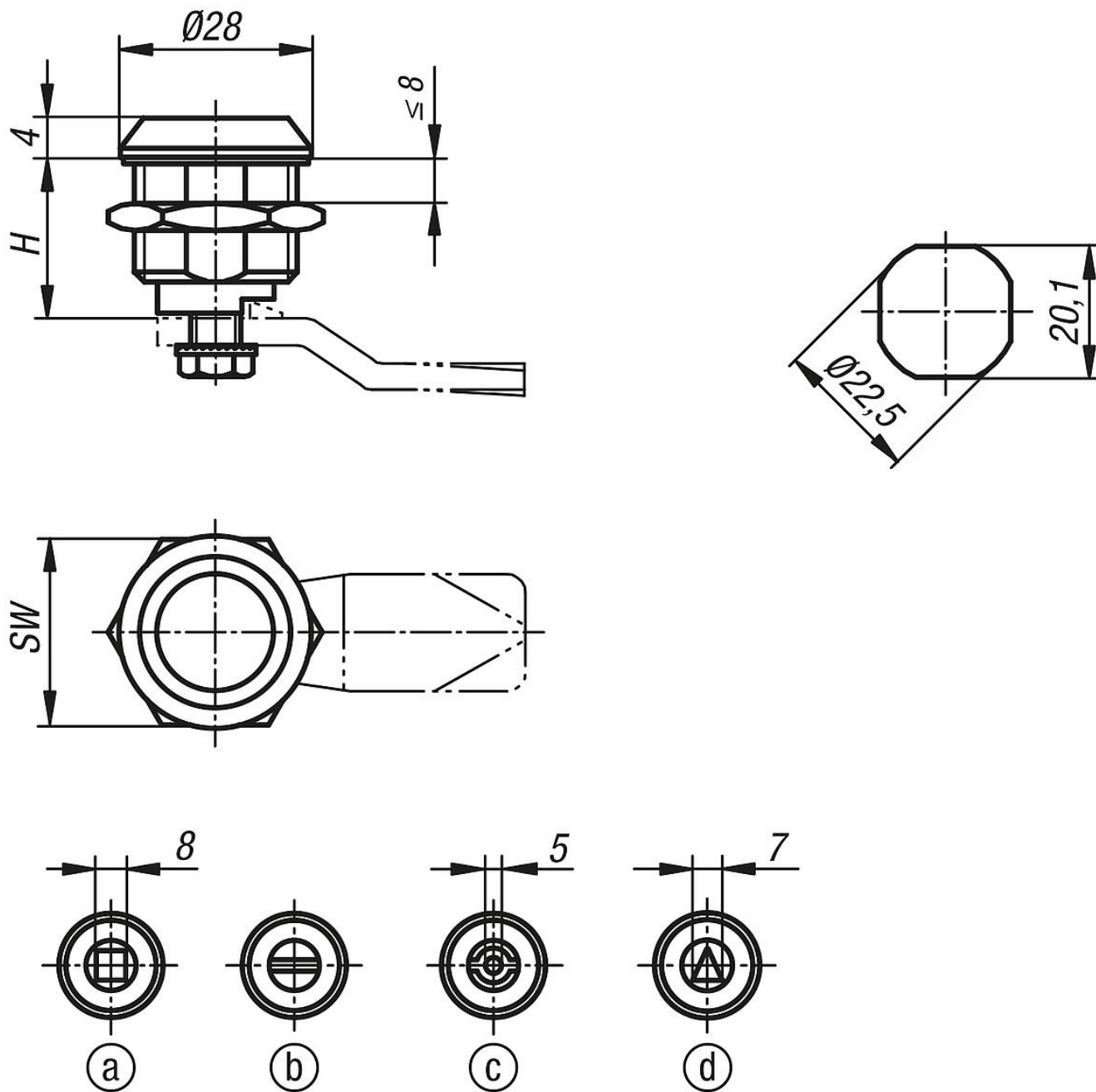
Drawing reference:

Actuation:

- a) square 8 mm
- b) slit
- c) double lug 5 mm
- d) triangle 7 mm

Quarter-turn locks stainless steel

Drawings



Overview of items

Order No.	Actuation	H	S max.	SW
K1106.40186	double lug 5 mm	18	8	27
K1106.20186	slot	18	8	27
K1106.18186	square 8 mm	18	8	27
K1106.87186	Triangle 7 mm	18	8	27

