

Technical information for milled telescopic slides



Kipp offers you a selection of heavy-duty, milled telescopic slides with load capacities from 220 kg to 480 kg, which thanks to their elegant and professional appearance can be used reliably in a wide range of industries and areas such as machine and vehicle construction, medical and automation technology, tool cabinets, service and fire service vehicles. Due to their maximum load-bearing capacity, the milled telescopic slides belong to the heavy-duty category (heavy-duty telescopic slides). Thanks to the high quality of the telescopic slides, virtually backlash-free running, high load values with low deflection, precise rigidity and increased safety under dynamic loads, as well as virtually silent, linear movements can be realised.

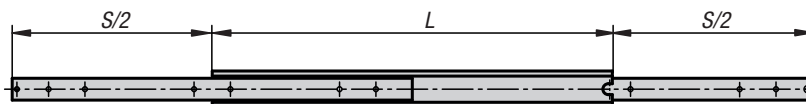


Material

The slides are made of cold-drawn and galvanised Q&T steel (C45E+C), the ball cages of bent and galvanised sheet steel and the balls of hardened steel.

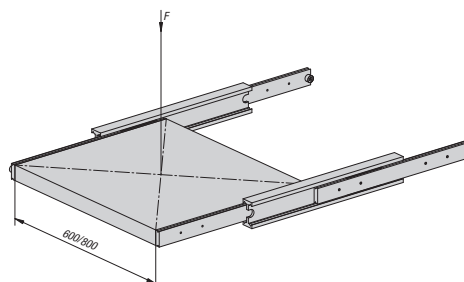
Pull-out

The milled telescopic slides are with full extension. The ratio of length L and travel S is the same at full extension.



Load capacity

The specified load capacities always refer to a pair of slides in vertical installation position. The load capacities were determined with a centred load (F) at a slide spacing of 600 and 800 mm.



For larger slide spacing, each user must determine whether the slides are suitable for the respective application. The material, the type of fastening, weather conditions and wear can also influence the values determined.

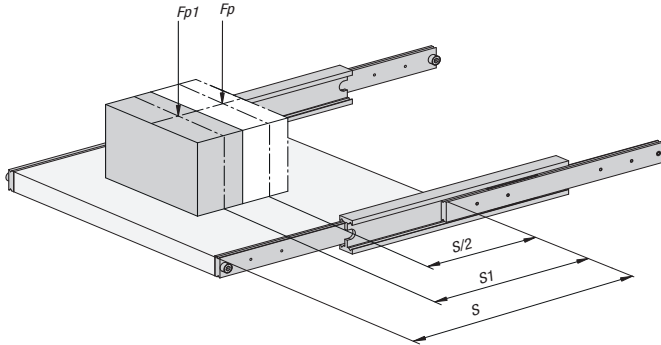
The load capacity is only 30% of the specified values for suitable slides that are mounted flat (horizontally).

Technical information for milled telescopic slides



Calculation of the load

The load capacity per pair F_p is based on the assumption that the centre of gravity of the load is in the middle of the travel $S/2$. The following formula is used for the new load capacity per pair F_{p1} with the centre of gravity of the load S_1 in a different position:



$$\text{Load capacity per pair } F_{p1} = \frac{0.5 \times \text{load capacity per pair } F_p \times \text{stroke } S}{\text{Travel } S_1}$$

Example:

Travel $S = 800 \text{ mm}$; load capacity per pair $F_p = 400 \text{ kg}$; load centre of gravity $S_1 = 650 \text{ mm}$

$$F_{p1} = \frac{0,5 \times 400 \text{ kg} \times 800 \text{ mm}}{650 \text{ mm}} = 246,15 \text{ kg}$$

$$F_{p1} = 0,5 * 400 \text{ kg} * 800 \text{ mm} / 650 \text{ mm} = 246,15 \text{ kg}$$

mounting instructions

The following must be observed to ensure stability and safety in the long term:

- Check the mounting surface for evenness.
- Use all the holes in the telescopic slides for fastening.
- Ensure that the pair of slides is parallel, angled correctly and precisely aligned.
- The sliding speed should not exceed 0.3 m/s to avoid damaging the ball cage when it stops at end position.
- If the telescopic slides are used intensively, they should be inspected visually for abnormal wear at regular intervals.
- Depending on the operating conditions and location, a protected installation must be provided.
- Dust particles and dirt can lead to jamming or even damage to the ball cages of the slides. A clean assembly area is essential.

Technical information for milled telescopic slides



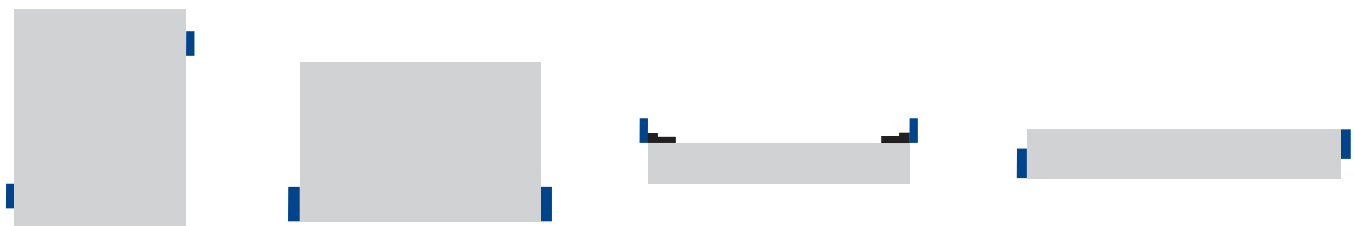
Mounting arrangement

The mounting arrangement has an influence on the running of the slides and the load values.

Suitable:



Acceptable:



Unsuitable:

