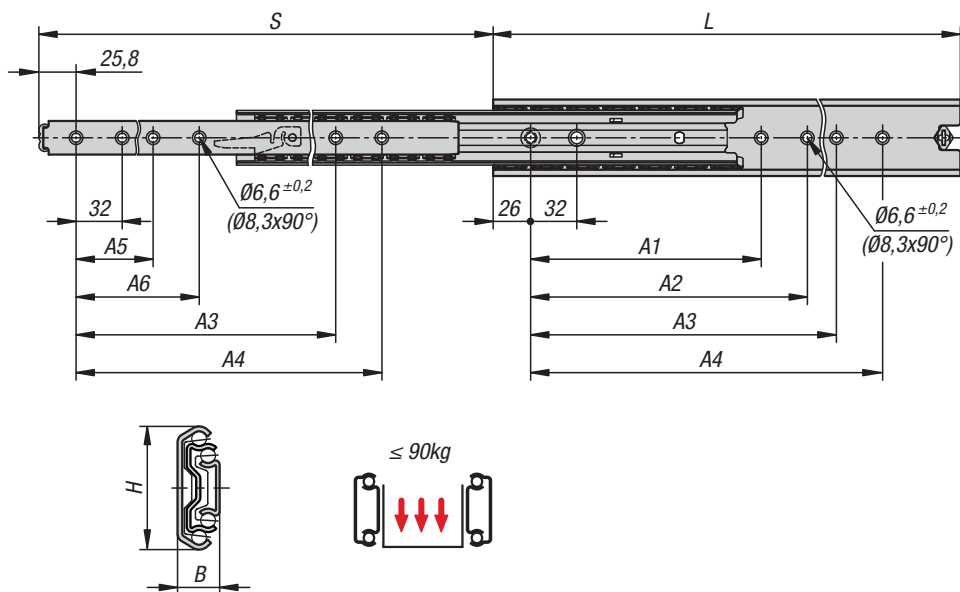


Assembly instructions K2092



Order No.	L	S	A1	A2	A3	A4	A5	A6	Load-bearing capacity per pair kg
K2092.0300	300	323	-	-	192	224	-	-	90
K2092.0350	350	373	-	-	224	256	-	-	90
K2092.0400	400	423	160	192	288	320	128	160	90
K2092.0450	450	473	192	224	352	384	160	192	90
K2092.0500	500	523	192	224	384	416	192	224	90
K2092.0550	550	573	256	288	448	480	224	256	90
K2092.0600	600	623	256	288	480	512	256	288	90
K2092.0650	700	723	288	320	576	608	288	320	90
K2092.0700	790	803	352	384	672	704	320	352	90

1) All fastening positions must be used so that the maximum load value is achieved.

2) Install the slide below the drawer centre line.

Assembly instructions K2092



Rail fastening

