

Technical information about mounting brackets K2094



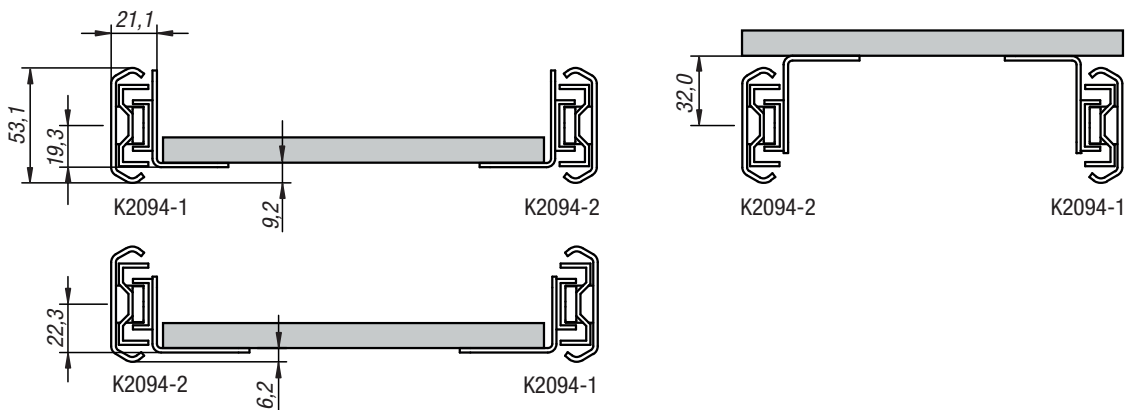
Four angle lengths can be used either individually or combined, to cover all rail lengths. To determine the number of bracket sets required, see the table below.

Artikel-Nr:	-1		-2		-3		-4	
	S	B	S	B	S	B	S	B
K1718.0300	1	2						
K1718.0350	1	2						
K1718.0400			1	2				
K1718.0450			1	2				
K1718.0500					1	2		
K1718.0550					1	2		
K1718.0600							1	2
K1718.0700							1	2
K1718.0790			2	4				
K1718.0900			1	2	1	2		
K1718.1000					2	4		
K1718.1100					1	3	1	1

S = Side mounting

B = Mounting from below

Side mounting:



Mounting from below:

