

Pull handles stainless steel

Item description/product images



Description

Material:

Handle stainless steel 1.4404.

Fastening material 1.4404.

Version:

Polished.

Assembly:

From the rear.

On request:

Special lengths.

Supplied with:

Pull handle stainless steel (K0208).

Hex head bolts DIN 933 (K0871).

Washers DIN EN ISO 7089 (K0868).

Accessory:

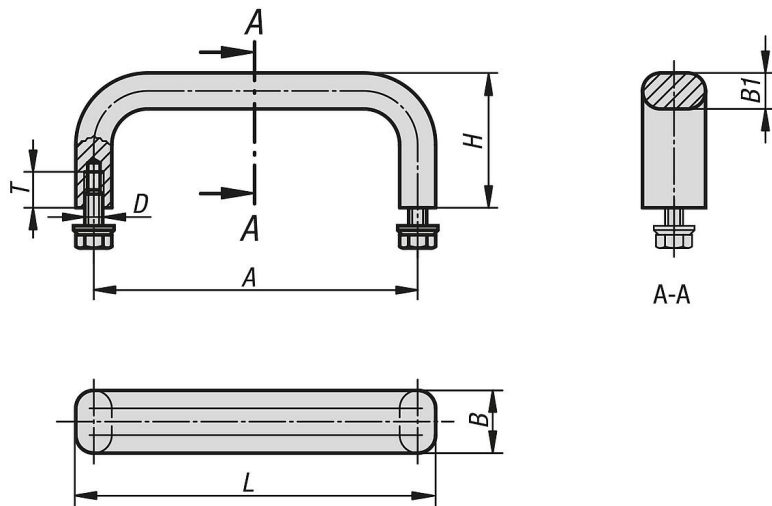
Hex head bolt with shaft (K0870).

Hex head bolt DIN 933 (K0871).

Hex head bolt with flange (K1161).

Button head screws (K1796).

Drawings



Overview of items

Pull handles stainless steel

Order No.	A	B	B1	D	H	L	T	Load capacity N
K0208.05505	55	12	8	M5x10	40	63	10	1000
K0208.08805	88	12	8	M5x10	40	96	10	1000
K0208.10005	100	12	8	M5x10	40	108	10	1000

Pull handles stainless steel

Overview of items

Order No.	A	B	B1	D	H	L	T	Load capacity N
K0208.12005	120	12	8	M5x10	40	128	10	1000
K0208.15005	150	12	8	M5x10	40	158	10	1000
K0208.18005	180	12	8	M5x10	40	188	10	1000
K0208.20005	200	12	8	M5x10	40	208	10	1000
K0208.23505	235	12	8	M5x10	40	243	10	1000
K0208.25005	250	12	8	M5x10	40	258	10	1000
K0208.10006	100	19,5	10	M6x12	45	110	12	1000
K0208.12006	120	19,5	10	M6x12	45	130	12	1000
K0208.15006	150	19,5	10	M6x12	45	160	12	1000
K0208.18006	180	19,5	10	M6x12	45	190	12	1000
K0208.20006	200	20	10	M6x12	45	210	12	1000
K0208.23506	235	20	10	M6x12	45	245	12	1000
K0208.25006	250	19,5	10	M6x12	45	260	12	1000
K0208.35006	350	20	10	M6x12	45	360	12	1000