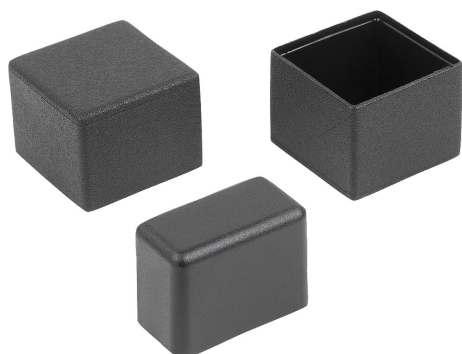


## Protective caps, plastic for square tubes

### Item description/product images



### Description

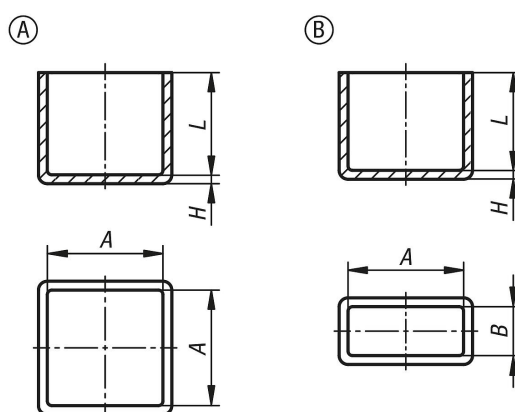
**Material:**  
Body polyethylene.

**Version:**  
Body black.

**Application:**  
The caps serve as protection against sharp edges on pipes.

**Assembly:**  
They can be pushed in by hand or tapped in with a plastic hammer.

### Drawings



### Overview of items

#### Protective caps, plastic for square tubes

Order No.	Form	Form definition	A	B	H	L
K2029.2020	A	-	20	-	2	24
K2029.2525	A	-	25	-	2	23
K2029.3030	A	-	30	-	2	23
K2029.4040	A	-	40	-	3	28
K2029.5050	A	-	50	-	2	28
K2029.3015	B	-	30	15	2	22
K2029.4020	B	-	40	20	2	8