

Hoist screws VDI 3366

Item description/product images



Description

Material:

Steel 1.1191 (CK45). Tensile strength $\approx 700 \text{ N/mm}^2$.

Version:

Black oxidised.

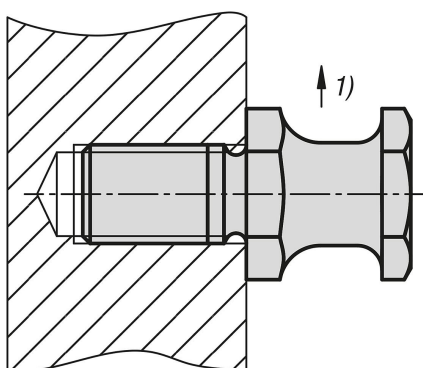
Note:

Hoist screws acc. to VDI 3366.

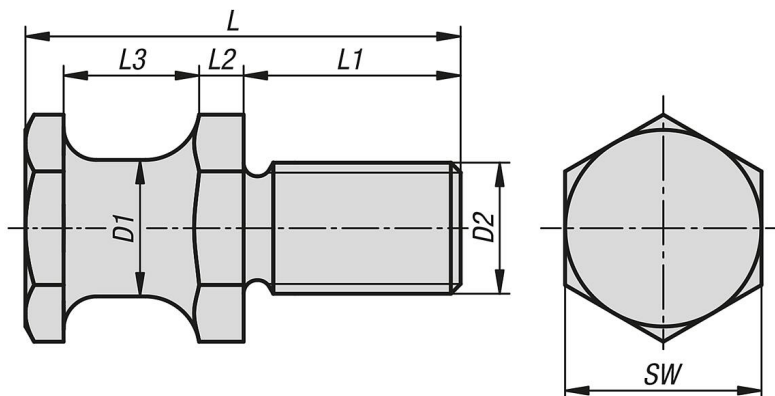
As a rule, there should always be four hoist screws fitted. When using four hoist screws, it should be ensured that two hoist screws carry the entire weight of the tool. Thus, when rotating the tool, the load can be distributed across two hoist screws.

Drawing reference:

1) kg max.



Drawings



Overview of items

Hoist screws VDI 3366

Order No.	D1	D2	L	L1	L2	L3	SW	Permissible load kg
K2044.16	16	M16	58	28	5	20	24	320
K2044.20	20	M20	68	34	6	22	30	500
K2044.25	25	M24	78	38	8	25	36	1000
K2044.32	32	M30	95	45	10	32	41	1500
K2044.40	40	M36	118	56	12	40	50	2500

