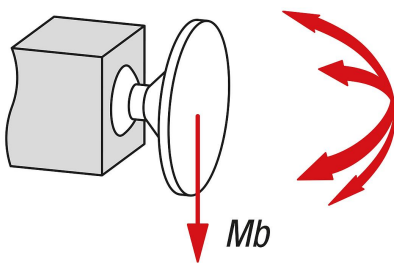
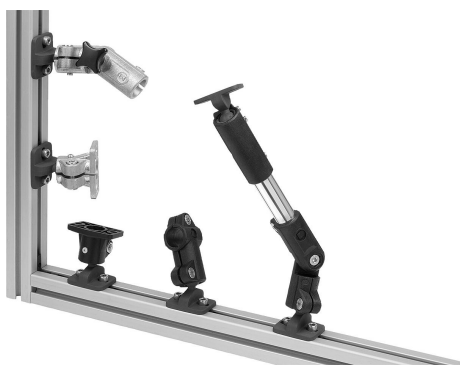


Tube clamps base, plastic with ball joint

Item description/product images



Flexural torque (Nm)



Description

Product description:

Tube clamp bases are used for angular joints. They can be screwed onto machines or frames.

The tube clamps have a 360° rotatable connection plate on the ball joint.

Components such as sensors, reflectors and other elements can be fastened to these and individually adjusted. Suitable for components that need to be precisely aligned and often readjusted.

The swivel range of the connection plate is 60°.

Material:

Thermoplastic.

DIN 7984 screws and DIN 985 nuts steel.

Version:

Black.

Screws and nuts electro zinc-plated.

Note:

Combinable with other 18 mm tube clamps. Use reducer sleeves if smaller tubes are to be clamped or a conversion from round to square tubes (or vice versa) is required.

A special coating on the surface of the ball joint ensures high-strength clamping.

Max. torque when tightening the locking screw:

M6: 8 Nm.

M8: 25 Nm.

The stated forces and torques are non-binding guidelines that may not be achievable due to diverse application conditions e.g. temperature or surface finish.

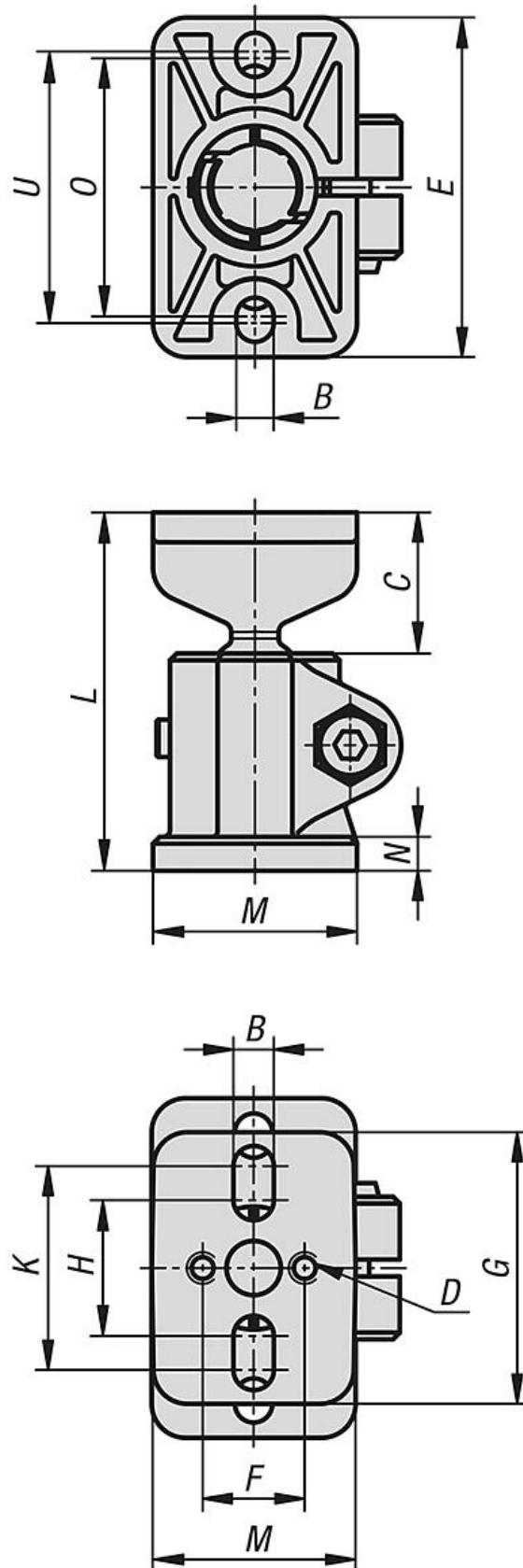
The details constitute neither a guarantee of the quality nor a warranted characteristic of the products.

Accessory:

- Reducer sleeves K0492
- Round and square tubes K0493

Tube clamps base, plastic with ball joint

Drawings



Tube clamps base, plastic with ball joint

Overview of items

Tube clamps base, plastic with ball joint

Order No.	B	C	D	E	F	G	H	K	L	M	N	O	U	Mb (Nm)
K0477.181	5,5	21	M5X10	50	15	40	20	30	53	30	5	38	40	5