

Technical information for sliding clamps K1070 and K1072



Note:

The items are used as movable clamping elements on applications such as measuring scales.

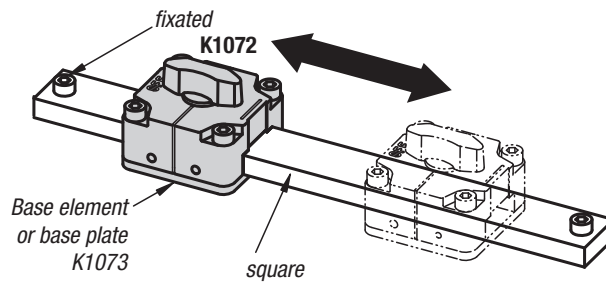
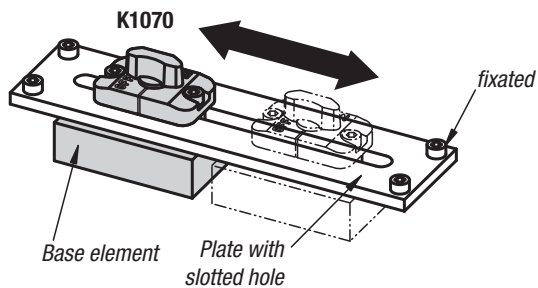
Turning the knob to "ON", operates the clamping mechanism.

If the sliding clamp is mounted directly on a base plate and the plate is secured with a slotted hole or square, the clamping plate and the base plate can be moved.

If the sliding clamp is mounted directly on a base plate and the base plate is secured the plate and slotted hole or square bar can be moved.

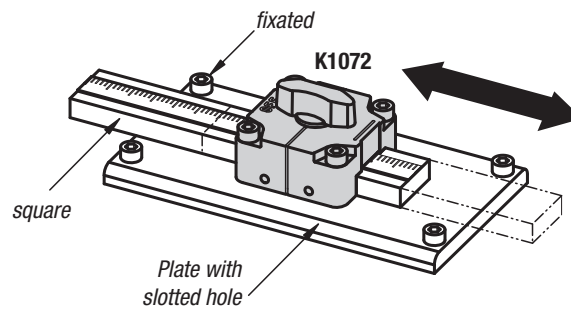
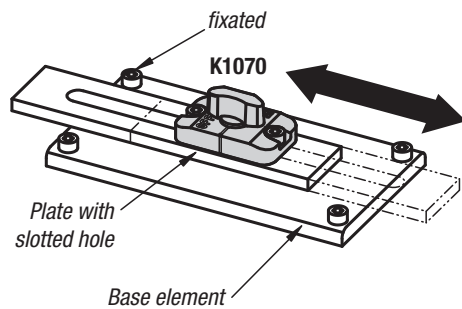
Operating mode 1:

Sliding clamp with base element moveable – plates with slotted hole or square fixed

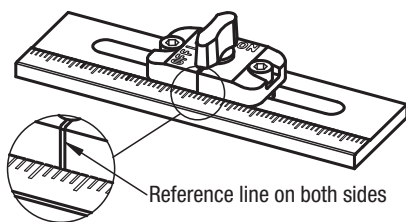


Operating mode 2:

Plates with slotted hole or square bar moveable - Sliding clamp with base element fixated



Application example K1070



Application example K1072

