

# Pin-end clamp straps Form B

## Item description/product images



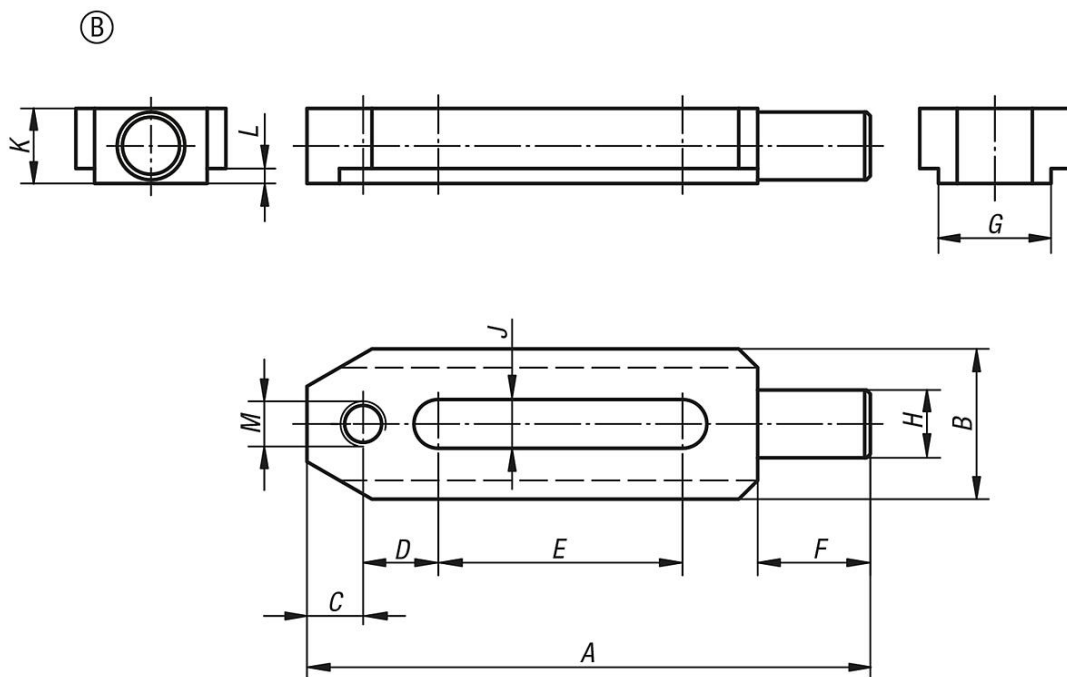
### Description

**Material:**  
Carbon steel.

**Version:**  
Tempered and black oxidised.

**Note:**  
Pin-end straps can be used in conjunction with other fixture elements, such as K0839, K0821, K0307.

## Drawings



## Overview of items

Order No.	A	B	C	D	E	F	G	H	J	K	L	M
K0834.12150	150	40	15	20	65	30	30	18	13	20	4	M12
K0834.16190	190	50	20	25	80	36	40	24	18	28	5	M16