

Pin-end clamp straps Form A

Item description/product images



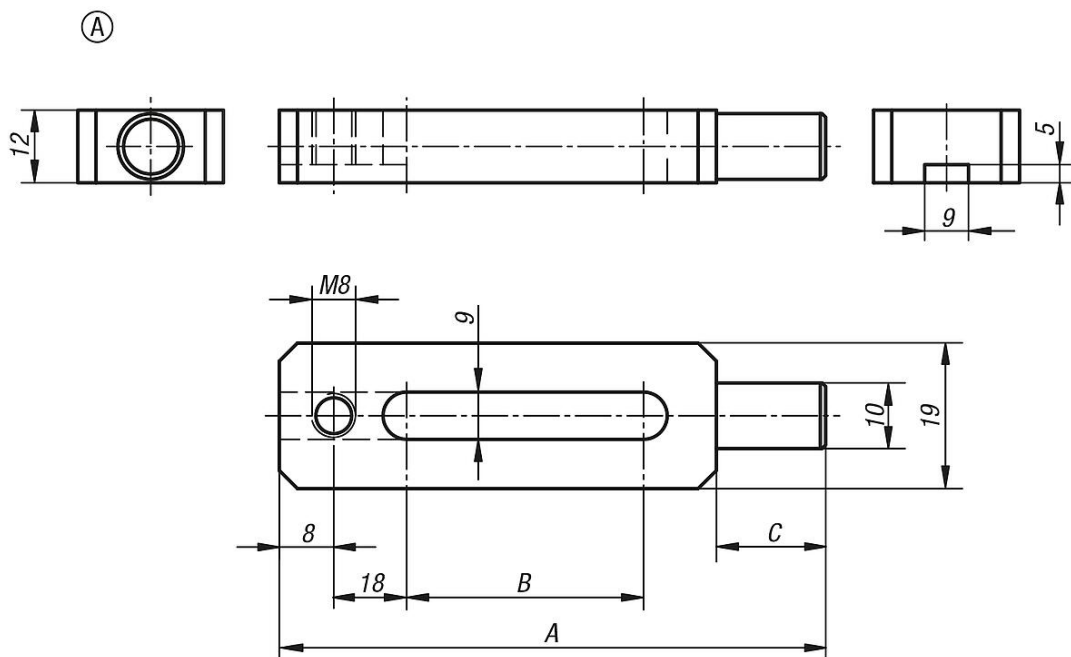
Description

Material:
Carbon steel.

Version:
Tempered and black oxidised.

Note:
Pin-end straps can be used in conjunction with other fixture elements, such as K0839, K0821, K0307.

Drawings



Overview of items

Order No.	A	B	C
K0834.08063	63	15	14
K0834.08075	75	20	20