

Locking pins, steel with folding latch

Item description/product images



Description

Material:

Steel electro zinc-plated.

Note:

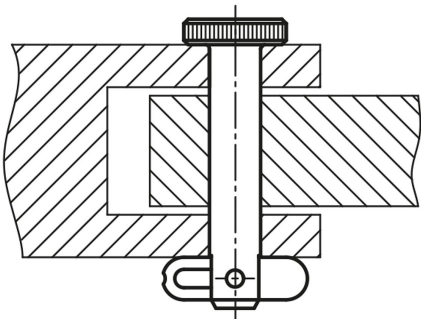
Locking pins with folding latch are not only used for fast and easy fixing but also for permanent joining of movable parts and workpieces.

The wide folding latch lets you secure the parts to be joined over a large cross section. It can also work under pressure in the axial direction.

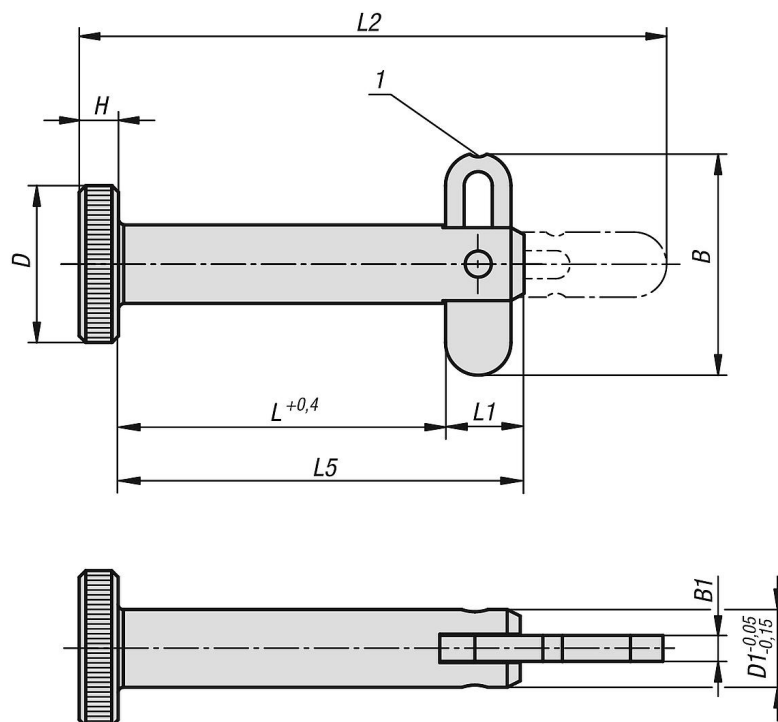
Indexing slots in the folding latch allow definite "Closed" and "Open" positions.

Drawing reference:

1) locking slot



Drawings



Overview of items

Locking pins, steel with folding latch

Overview of items

Locking pins with folding latch

| Order No. | B | B1 | D | D1 | Receiving hole H11 | H | L | L1 | L2 | L5 | Shearing force double shear max.kN | Extraction force F N |
|-------------|------|------|----|----|--------------------|-----|-----|-----|-------|------|------------------------------------|----------------------|
| K0776.05010 | 11,2 | 1,25 | 10 | 5 | 5 | 2,5 | 10 | 4,1 | 21,4 | 14,1 | 8 | 60 |
| K0776.05015 | 11,2 | 1,25 | 10 | 5 | 5 | 2,5 | 15 | 4,1 | 26,4 | 19,1 | 8 | 60 |
| K0776.05020 | 11,2 | 1,25 | 10 | 5 | 5 | 2,5 | 20 | 4,1 | 31,4 | 24,1 | 8 | 60 |
| K0776.05025 | 11,2 | 1,25 | 10 | 5 | 5 | 2,5 | 25 | 4,1 | 36,4 | 29,1 | 8 | 60 |
| K0776.05030 | 11,2 | 1,25 | 10 | 5 | 5 | 2,5 | 30 | 4,1 | 41,4 | 34,1 | 8 | 60 |
| K0776.05035 | 11,2 | 1,25 | 10 | 5 | 5 | 2,5 | 35 | 4,1 | 46,4 | 39,1 | 8 | 60 |
| K0776.05040 | 11,2 | 1,25 | 10 | 5 | 5 | 2,5 | 40 | 4,1 | 51,4 | 44,1 | 8 | 60 |
| K0776.05050 | 11,2 | 1,25 | 10 | 5 | 5 | 2,5 | 50 | 4,1 | 61,4 | 54,1 | 8 | 60 |
| K0776.05060 | 11,2 | 1,25 | 10 | 5 | 5 | 2,5 | 60 | 4,1 | 71,4 | 64,1 | 8 | 60 |
| K0776.06010 | 16,9 | 2 | 12 | 6 | 6 | 3 | 10 | 6 | 27 | 16 | 12 | 190 |
| K0776.06020 | 16,9 | 2 | 12 | 6 | 6 | 3 | 20 | 6 | 37 | 26 | 12 | 190 |
| K0776.06025 | 16,9 | 2 | 12 | 6 | 6 | 3 | 25 | 6 | 45 | 31 | 12 | 190 |
| K0776.06030 | 16,9 | 2 | 12 | 6 | 6 | 3 | 30 | 6 | 47 | 36 | 12 | 190 |
| K0776.06035 | 16,9 | 2 | 12 | 6 | 6 | 3 | 35 | 6 | 52 | 41 | 12 | 190 |
| K0776.06040 | 16,9 | 2 | 12 | 6 | 6 | 3 | 40 | 6 | 60 | 46 | 12 | 190 |
| K0776.06050 | 16,9 | 2 | 12 | 6 | 6 | 3 | 50 | 6 | 70 | 56 | 12 | 190 |
| K0776.06060 | 16,9 | 2 | 12 | 6 | 6 | 3 | 60 | 6 | 77 | 66 | 12 | 190 |
| K0776.06070 | 16,9 | 2 | 12 | 6 | 6 | 3 | 70 | 6 | 87 | 76 | 12 | 190 |
| K0776.06080 | 16,9 | 2 | 12 | 6 | 6 | 3 | 80 | 6 | 97 | 86 | 12 | 190 |
| K0776.08020 | 16,9 | 2 | 16 | 8 | 8 | 4 | 20 | 6 | 37 | 26 | 21 | 190 |
| K0776.08025 | 16,9 | 2 | 16 | 8 | 8 | 4 | 25 | 6 | 46 | 31 | 21 | 190 |
| K0776.08030 | 16,9 | 2 | 16 | 8 | 8 | 4 | 30 | 6 | 47 | 36 | 21 | 190 |
| K0776.08035 | 16,9 | 2 | 16 | 8 | 8 | 4 | 35 | 6 | 52 | 41 | 21 | 190 |
| K0776.08040 | 16,9 | 2 | 16 | 8 | 8 | 4 | 40 | 6 | 61 | 46 | 21 | 190 |
| K0776.08050 | 16,9 | 2 | 16 | 8 | 8 | 4 | 50 | 6 | 71 | 56 | 21 | 190 |
| K0776.08060 | 16,9 | 2 | 16 | 8 | 8 | 4 | 60 | 6 | 77 | 66 | 21 | 190 |
| K0776.08070 | 16,9 | 2 | 16 | 8 | 8 | 4 | 70 | 6 | 87 | 76 | 21 | 190 |
| K0776.08080 | 16,9 | 2 | 16 | 8 | 8 | 4 | 80 | 6 | 97 | 86 | 21 | 190 |
| K0776.08090 | 16,9 | 2 | 16 | 8 | 8 | 4 | 90 | 6 | 107 | 96 | 21 | 190 |
| K0776.08100 | 16,9 | 2 | 16 | 8 | 8 | 4 | 100 | 6 | 117 | 106 | 21 | 190 |
| K0776.10020 | 25,4 | 3 | 20 | 10 | 10 | 5 | 20 | 9 | 45,4 | 29 | 33 | 300 |
| K0776.10025 | 25,4 | 3 | 20 | 10 | 10 | 5 | 25 | 9 | 50,4 | 34 | 33 | 300 |
| K0776.10030 | 25,4 | 3 | 20 | 10 | 10 | 5 | 30 | 9 | 55,4 | 39 | 33 | 300 |
| K0776.10035 | 25,4 | 3 | 20 | 10 | 10 | 5 | 35 | 9 | 60,4 | 44 | 33 | 300 |
| K0776.10040 | 25,4 | 3 | 20 | 10 | 10 | 5 | 40 | 9 | 65,4 | 49 | 33 | 300 |
| K0776.10050 | 25,4 | 3 | 20 | 10 | 10 | 5 | 50 | 9 | 75,4 | 59 | 33 | 300 |
| K0776.10060 | 25,4 | 3 | 20 | 10 | 10 | 5 | 60 | 9 | 85,4 | 69 | 33 | 300 |
| K0776.10070 | 25,4 | 3 | 20 | 10 | 10 | 5 | 70 | 9 | 95,4 | 79 | 33 | 300 |
| K0776.10080 | 25,4 | 3 | 20 | 10 | 10 | 5 | 80 | 9 | 105,4 | 89 | 33 | 300 |
| K0776.10090 | 25,4 | 3 | 20 | 10 | 10 | 5 | 90 | 9 | 115,4 | 99 | 33 | 300 |
| K0776.10100 | 25,4 | 3 | 20 | 10 | 10 | 5 | 100 | 9 | 125,4 | 109 | 33 | 300 |
| K0776.12030 | 25,4 | 3 | 24 | 12 | 12 | 6 | 30 | 9 | 55,4 | 39 | 48 | 300 |
| K0776.12035 | 25,4 | 3 | 24 | 12 | 12 | 6 | 35 | 9 | 60,4 | 44 | 48 | 300 |
| K0776.12040 | 25,4 | 3 | 24 | 12 | 12 | 6 | 40 | 9 | 65,4 | 49 | 48 | 300 |
| K0776.12050 | 25,4 | 3 | 24 | 12 | 12 | 6 | 50 | 9 | 75,4 | 59 | 48 | 300 |
| K0776.12060 | 25,4 | 3 | 24 | 12 | 12 | 6 | 60 | 9 | 85,4 | 69 | 48 | 300 |
| K0776.12070 | 25,4 | 3 | 24 | 12 | 12 | 6 | 70 | 9 | 95,4 | 79 | 48 | 300 |
| K0776.12080 | 25,4 | 3 | 24 | 12 | 12 | 6 | 80 | 9 | 105,4 | 89 | 48 | 300 |
| K0776.12090 | 25,4 | 3 | 24 | 12 | 12 | 6 | 90 | 9 | 115,4 | 99 | 48 | 300 |
| K0776.12100 | 25,4 | 3 | 24 | 12 | 12 | 6 | 100 | 9 | 125,4 | 109 | 48 | 300 |
| K0776.12110 | 25,4 | 3 | 24 | 12 | 12 | 6 | 110 | 9 | 135,4 | 119 | 48 | 300 |
| K0776.12120 | 25,4 | 3 | 24 | 12 | 12 | 6 | 120 | 9 | 145,4 | 129 | 48 | 300 |

