

## T-nuts

## Item description/product images



## Description

**Material:**

Steel.

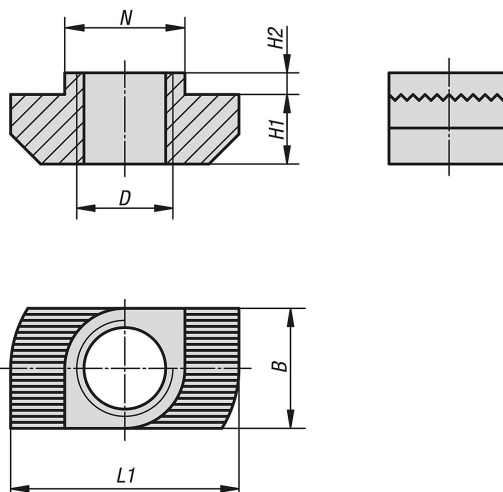
**Version:**

Electro zinc-plated.

**Note:**

Universal fastening element. The T-nut is twisted into the profile slot and so can be subsequently inserted into existing systems. The serrations break through the anodised film and creates a secure, electrical conductive connection.

## Drawings



## Overview of items

## T-nuts

Order No.	Type	Slot width	B	D	H1	H2	L1	N
K1028.0604010	B	6	5,7	M4	3,2	1	11,5	5,7
K1028.0804015	B	8	7,7	M4	4,5	1,5	16	7,7
K1028.0805015	B	8	7,7	M5	4,5	1,5	16	7,7
K1028.0806015	B	8	7,7	M6	4,5	1,5	16	7,7
K1028.1005017	-	10	9,7	M5	5,8	1,5	19	9,7
K1028.1005030	B	10	9,7	M5	5,8	3	19	9,7

## T-nuts

## Overview of items

Order No.	Type	Slot width	B	D	H1	H2	L1	N
K1028.1006017	-	10	9,7	M6	5,8	1,5	19	9,7
K1028.1006030	B	10	9,7	M6	5,8	3	19	9,7
K1028.1008017	-	10	9,7	M8	5,8	1,5	19	9,7
K1028.1008030	B	10	9,7	M8	5,8	3	19	9,7
K1028.1004030	B	10	9,7	M4	5,8	3	19	9,7