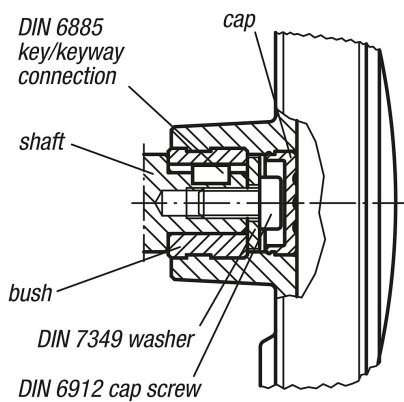


Handwheels with fold-down cylinder grip

Item description/product images



Description

Material:

Handwheel body and grip thermoplastic.

Hub and grip axle steel, strength class 5.8, or stainless steel 1.4404.

Version:

Thermoplastic black grey.

Steel parts black oxidised.

Stainless steel bright.

Note:

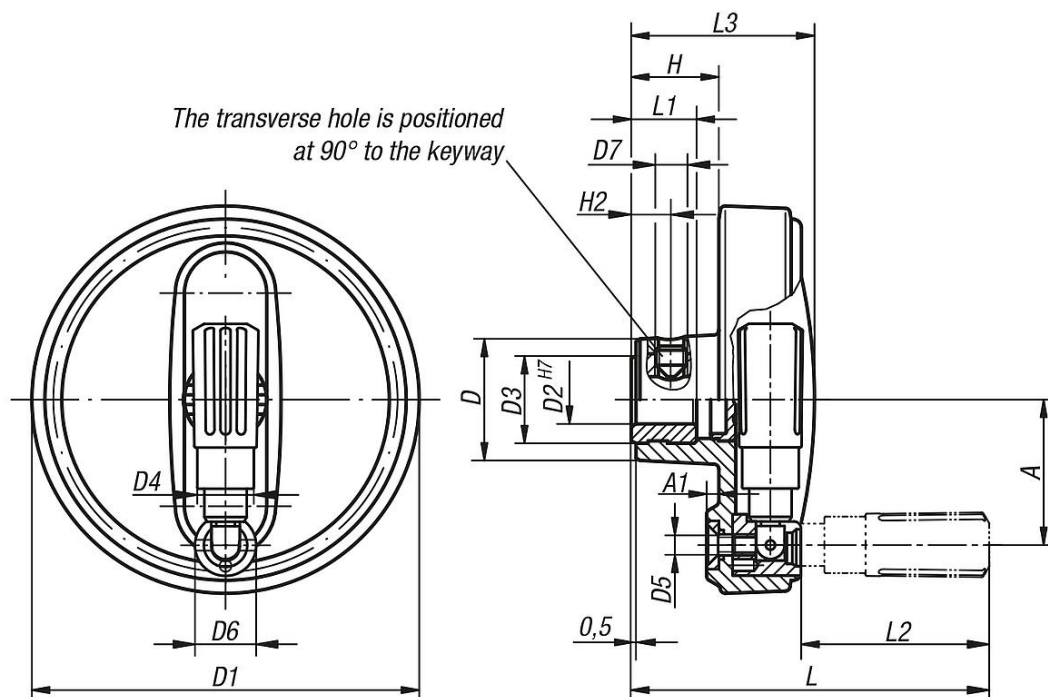
The hub cover is supplied unassembled.

The handwheels can be secured to a shaft using a transverse pin or by parallel key connection together with a DIN 6912 cap screw and a DIN 7349 washer.

Versions with transverse bore are secured using the ISO 4027 (DIN 914) grub screw.

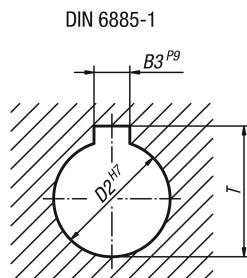
For assembly example, see K0256.

Drawings



Handwheels with fold-down cylinder grip

Drawings



Overview of items

Handwheels with fold-down cylinder grip

Order No.	Version	Version 2	Component material	D	D1	D2	D3	D4	D5	D6	D7	A	A1	H	H2	L	L1	L2	L3	B3	T
K0258.108008	reamed hole	-	steel	25	80	8H7	19	14	M4	13	-	30	2,5	17,6	-	74,6	13	40	36,7	-	-
K0258.108010	reamed hole	-	steel	25	80	10H7	19	14	M4	13	-	30	2,5	17,6	-	74,6	13	40	36,7	-	-
K0258.108012	reamed hole	-	steel	25	80	12H7	19	14	M4	13	-	30	2,5	17,6	-	74,6	13	40	36,7	-	-
K0258.210010	reamed hole	-	steel	28	100	10H7	19	16	M5	16	-	38	3	20,1	-	90,1	13	49	43,5	-	-
K0258.210012	reamed hole	-	steel	28	100	12H7	19	16	M5	16	-	38	3	20,1	-	90,1	13	49	43,5	-	-
K0258.312512	reamed hole	-	steel	35	125	12H7	25	20	M6	20	-	47,5	4	23,3	-	108,8	18,5	59,5	52,1	-	-
K0258.312514	reamed hole	-	steel	35	125	14H7	25	20	M6	20	-	47,5	4	23,3	-	108,8	18,5	59,5	52,1	-	-
K0258.312516	reamed hole	-	steel	35	125	16H7	25	20	M6	20	-	47,5	4	23,3	-	108,8	18,5	59,5	52,1	-	-
K0258.416014	reamed hole	-	steel	45	160	14H7	25	25	M8	26	-	62	5,6	28	-	143,5	18,5	83	63,8	-	-
K0258.416016	reamed hole	-	steel	45	160	16H7	25	25	M8	26	-	62	5,6	28	-	143,5	18,5	83	63,8	-	-
K0258.10800802	reamed hole with slot	-	steel	25	80	8H7	19	14	M4	13	-	30	2,5	17,6	-	74,6	13	40	36,7	2	9
K0258.10801003	reamed hole with slot	-	steel	25	80	10H7	19	14	M4	13	-	30	2,5	17,6	-	74,6	13	40	36,7	3	11,4
K0258.10801204	reamed hole with slot	-	steel	25	80	12H7	19	14	M4	13	-	30	2,5	17,6	-	74,6	13	40	36,7	4	13,8
K0258.21001003	reamed hole with slot	-	steel	28	100	10H7	19	16	M5	16	-	38	3	20,1	-	90,1	13	49	43,5	3	11,4
K0258.21001204	reamed hole with slot	-	steel	28	100	12H7	19	16	M5	16	-	38	3	20,1	-	90,1	13	49	43,5	4	13,8
K0258.31251204	reamed hole with slot	-	steel	35	125	12H7	25	20	M6	20	-	47,5	4	23,3	-	108,8	18,5	59,5	52,1	4	13,8
K0258.31251405	reamed hole with slot	-	steel	35	125	14H7	25	20	M6	20	-	47,5	4	23,3	-	108,8	18,5	59,5	52,1	5	16,3
K0258.31251605	reamed hole with slot	-	steel	35	125	16H7	25	20	M6	20	-	47,5	4	23,3	-	108,8	18,5	59,5	52,1	5	18,3
K0258.41601405	reamed hole with slot	-	steel	45	160	14H7	25	25	M8	26	-	62	5,6	28	-	143,5	18,5	83	63,8	5	16,3
K0258.41601605	reamed hole with slot	-	steel	45	160	16H7	25	25	M8	26	-	62	5,6	28	-	143,5	18,5	83	63,8	5	18,3
K0258.1080086	reamed hole	with transverse bore	steel	25	80	8H7	19	14	M4	13	M6	30	2,5	17,6	7,5	74,6	13	40	36,7	-	-
K0258.1080106	reamed hole	with transverse bore	steel	25	80	10H7	19	14	M4	13	M6	30	2,5	17,6	7,5	74,6	13	40	36,7	-	-
K0258.1080126	reamed hole	with transverse bore	steel	25	80	12H7	19	14	M4	13	M6	30	2,5	17,6	7,5	74,6	13	40	36,7	-	-
K0258.2100106	reamed hole	with transverse bore	steel	28	100	10H7	19	16	M5	16	M6	38	3	20,1	7,5	90,1	13	49	43,5	-	-
K0258.2100126	reamed hole	with transverse bore	steel	28	100	12H7	19	16	M5	16	M6	38	3	20,1	7,5	90,1	13	49	43,5	-	-
K0258.3125126	reamed hole	with transverse bore	steel	35	125	12H7	25	20	M6	20	M6	47,5	4	23,3	7,5	108,8	18,5	59,5	52,1	-	-
K0258.3125146	reamed hole	with transverse bore	steel	35	125	14H7	25	20	M6	20	M6	47,5	4	23,3	7,5	108,8	18,5	59,5	52,1	-	-
K0258.3125166	reamed hole	with transverse bore	steel	35	125	16H7	25	20	M6	20	M6	47,5	4	23,3	7,5	108,8	18,5	59,5	52,1	-	-
K0258.4160146	reamed hole	with transverse bore	steel	45	160	14H7	25	25	M8	26	M6	62	5,6	28	7,5	143,5	18,5	83	63,8	-	-
K0258.4160166	reamed hole	with transverse bore	steel	45	160	16H7	25	25	M8	26	M6	62	5,6	28	7,5	143,5	18,5	83	63,8	-	-
K0258.108008026	reamed hole with slot	with transverse bore	steel	25	80	8H7	19	14	M4	13	M6	30	2,5	17,6	7,5	74,6	13	40	36,7	2	9
K0258.108010036	reamed hole with slot	with transverse bore	steel	25	80	10H7	19	14	M4	13	M6	30	2,5	17,6	7,5	74,6	13	40	36,7	3	11,4
K0258.108012046	reamed hole with slot	with transverse bore	steel	25	80	12H7	19	14	M4	13	M6	30	2,5	17,6	7,5	74,6	13	40	36,7	4	13,8
K0258.210010036	reamed hole with slot	with transverse bore	steel	28	100	10H7	19	16	M5	16	M6	38	3	20,1	7,5	90,1	13	49	43,5	3	11,4
K0258.210012046	reamed hole with slot	with transverse bore	steel	28	100	12H7	19	16	M5	16	M6	38	3	20,1	7,5	90,1	13	49	43,5	4	13,8
K0258.312512046	reamed hole with slot	with transverse bore	steel	35	125	12H7	25	20	M6	20	M6	47,5	4	23,3	7,5	108,8	18,5	59,5	52,1	4	13,8
K0258.312514056	reamed hole with slot	with transverse bore	steel	35	125	14H7	25	20	M6	20	M6	47,5	4	23,3	7,5	108,8	18,5	59,5	52,1	5	16,3
K0258.312516056	reamed hole with slot	with transverse bore	steel	35	125	16H7	25	20	M6	20	M6	47,5	4	23,3	7,5	108,8	18,5	59,5	52,1	5	18,3
K0258.416014056	reamed hole with slot	with transverse bore	steel	45	160	14H7	25	25	M8	26	M6	62	5,6	28	7,5	143,5	18,5	83	63,8	5	16,3
K0258.416016056	reamed hole with slot	with transverse bore	steel	45	160	16H7	25	25	M8	26	M6	62	5,6	28	7,5	143,5	18,5	83	63,8	5	18,3
K0258.0108008	reamed hole	without transverse hole	stainless steel	25	80	8H7	19	14	M4	13	M6	30	2,5	17,6	-	74,6	13	40	36,7	-	-
K0258.0108010	reamed hole	without transverse hole	stainless steel	25	80	10H7	19	14	M4	13	-	30	2,5	17,6	-	74,6	13	40	36,7	-	-
K0258.0108012	reamed hole	without transverse hole	stainless steel	25	80	12H7	19	14	M4	13	-	30	2,5	17,6	-	74,6	13	40	36,7	-	-
K0258.0210010	reamed hole	without transverse hole	stainless steel	28	100	10H7	19	16	M5	16	-	38	3	20,1	-	90,1	13	49	43,5	-	-

Handwheels with fold-down cylinder grip

Overview of items

Order No.	Version	Version 2	Component material	D	D1	D2	D3	D4	D5	D6	D7	A	A1	H	H2	L	L1	L2	L3	B3	T
K0258.0210012	reamed hole	without transverse hole	stainless steel	28	100	12H7	19	16	M5	16	-	38	3	20,1	-	90,1	13	49	43,5	-	-
K0258.0312512	reamed hole	without transverse hole	stainless steel	35	125	12H7	25	20	M6	20	-	47,5	4	23,3	-	108,8	18,5	59,5	52,1	-	-
K0258.0312514	reamed hole	without transverse hole	stainless steel	35	125	14H7	25	20	M6	20	-	47,5	4	23,3	-	108,8	18,5	59,5	52,1	-	-
K0258.0312516	reamed hole	without transverse hole	stainless steel	35	125	16H7	25	20	M6	20	-	47,5	4	23,3	-	108,8	18,5	59,5	52,1	-	-
K0258.0416014	reamed hole	without transverse hole	stainless steel	45	160	14H7	25	25	M8	26	-	62	5,6	28	-	143,5	18,5	83	63,8	-	-
K0258.0416016	reamed hole	without transverse hole	stainless steel	45	160	16H7	25	25	M8	26	-	62	5,6	28	-	143,5	18,5	83	63,8	-	-
K0258.010800802	reamed hole with slot	without transverse hole	stainless steel	25	80	8H7	19	14	M4	13	-	30	2,5	17,6	-	74,6	13	40	36,7	2	9
K0258.010801003	reamed hole with slot	without transverse hole	stainless steel	25	80	10H7	19	14	M4	13	-	30	2,5	17,6	-	74,6	13	40	36,7	3	11,4
K0258.010801204	reamed hole with slot	without transverse hole	stainless steel	25	80	12H7	19	14	M4	13	-	30	2,5	17,6	-	74,6	13	40	36,7	4	13,8
K0258.021001003	reamed hole with slot	without transverse hole	stainless steel	28	100	10H7	19	16	M5	16	-	38	3	20,1	-	90,1	13	49	43,5	3	11,4
K0258.021001204	reamed hole with slot	without transverse hole	stainless steel	28	100	12H7	19	16	M5	16	-	38	3	20,1	-	90,1	13	49	43,5	4	13,8
K0258.031251204	reamed hole with slot	without transverse hole	stainless steel	35	125	12H7	25	20	M6	20	-	47,5	4	23,3	-	108,8	18,5	59,5	52,1	4	13,8
K0258.031251405	reamed hole with slot	without transverse hole	stainless steel	35	125	14H7	25	20	M6	20	-	47,5	4	23,3	-	108,8	18,5	59,5	52,1	5	16,3
K0258.031251605	reamed hole with slot	without transverse hole	stainless steel	35	125	16H7	25	20	M6	20	-	47,5	4	23,3	-	108,8	18,5	59,5	52,1	5	18,3
K0258.041601405	reamed hole with slot	without transverse hole	stainless steel	45	160	14H7	25	25	M8	26	-	62	5,6	28	-	143,5	18,5	83	63,8	5	16,3
K0258.041601605	reamed hole with slot	without transverse hole	stainless steel	45	160	16H7	25	25	M8	26	-	62	5,6	28	-	143,5	18,5	83	63,8	5	18,3
K0258.010800806	reamed hole	with transverse bore	stainless steel	25	80	8H7	19	14	M4	13	M6	30	2,5	17,6	7,5	74,6	13	40	36,7	-	-
K0258.010801006	reamed hole	with transverse bore	stainless steel	25	80	10H7	19	14	M4	13	M6	30	2,5	17,6	7,5	74,6	13	40	36,7	-	-
K0258.010801206	reamed hole	with transverse bore	stainless steel	25	80	12H7	19	14	M4	13	M6	30	2,5	17,6	7,5	74,6	13	40	36,7	-	-
K0258.021001006	reamed hole	with transverse bore	stainless steel	28	100	10H7	19	16	M5	16	M6	38	3	20,1	7,5	90,1	13	49	43,5	-	-
K0258.021001206	reamed hole	with transverse bore	stainless steel	28	100	12H7	19	16	M5	16	M6	38	3	20,1	7,5	90,1	13	49	43,5	-	-
K0258.031251206	reamed hole	with transverse bore	stainless steel	35	125	12H7	25	20	M6	20	M6	47,5	4	23,3	7,5	108,8	18,5	59,5	52,1	-	-
K0258.031251406	reamed hole	with transverse bore	stainless steel	35	125	14H7	25	20	M6	20	M6	47,5	4	23,3	7,5	108,8	18,5	59,5	52,1	-	-
K0258.031251606	reamed hole	with transverse bore	stainless steel	35	125	16H7	25	20	M6	20	M6	47,5	4	23,3	7,5	108,8	18,5	59,5	52,1	-	-
K0258.041601406	reamed hole	with transverse bore	stainless steel	45	160	14H7	25	25	M8	26	M6	62	5,6	28	7,5	143,5	18,5	83	63,8	-	-
K0258.041601606	reamed hole	with transverse bore	stainless steel	45	160	16H7	25	25	M8	26	M6	62	5,6	28	7,5	143,5	18,5	83	63,8	-	-
K0258.0108008026	reamed hole with slot	with transverse bore	stainless steel	25	80	8H7	19	14	M4	13	M6	30	2,5	17,6	7,5	74,6	13	40	36,7	2	9
K0258.0108010036	reamed hole with slot	with transverse bore	stainless steel	25	80	10H7	19	14	M4	13	M6	30	2,5	17,6	7,5	74,6	13	40	36,7	3	11,4
K0258.0108012046	reamed hole with slot	with transverse bore	stainless steel	25	80	12H7	19	14	M4	13	M6	30	2,5	17,6	7,5	74,6	13	40	36,7	4	13,8
K0258.0210010036	reamed hole with slot	with transverse bore	stainless steel	28	100	10H7	19	16	M5	16	M6	38	3	20,1	7,5	90,1	13	49	43,5	3	11,4
K0258.0210012046	reamed hole with slot	with transverse bore	stainless steel	28	100	12H7	19	16	M5	16	M6	38	3	20,1	7,5	90,1	13	49	43,5	4	13,8
K0258.0312512046	reamed hole with slot	with transverse bore	stainless steel	35	125	12H7	25	20	M6	20	M6	47,5	4	23,3	7,5	108,8	18,5	59,5	52,1	4	13,8
K0258.0312514056	reamed hole with slot	with transverse bore	stainless steel	35	125	14H7	25	20	M6	20	M6	47,5	4	23,3	7,5	108,8	18,5	59,5	52,1	5	16,3
K0258.0312516056	reamed hole with slot	with transverse bore	stainless steel	35	125	16H7	25	20	M6	20	M6	47,5	4	23,3	7,5	108,8	18,5	59,5	52,1	5	18,3
K0258.0416014056	reamed hole with slot	with transverse bore	stainless steel	45	160	14H7	25	25	M8	26	M6	62	5,6	28	7,5	143,5	18,5	83	63,8	5	16,3
K0258.0416016056	reamed hole with slot	with transverse bore	stainless steel	45	160	16H7	25	25	M8	26	M6	62	5,6	28	7,5	143,5	18,5	83	63,8	5	18,3